

YAMAHA

**OUTBOARD MOTOR
PARTS LIST**



MODEL 6A

MODEL 8A

FOR EUROPE



YAMAHA MOTOR CO., LTD.

COPY RIGHT: ALL RIGHTS RESERVED

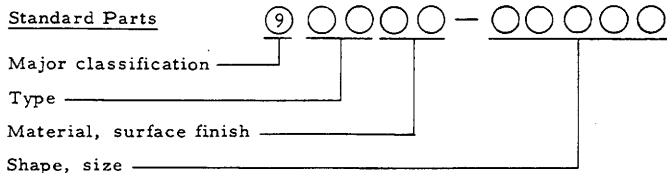
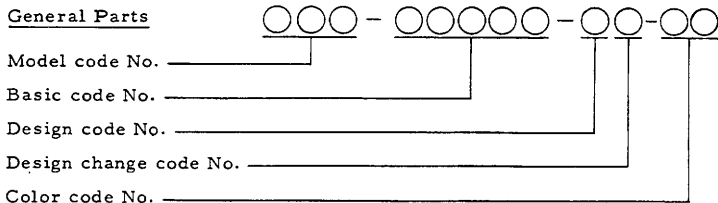
NO PART OF THIS PUBLICATION MAY BE REPRODUCED WITHOUT PERMISSION.

FOREWORD

This Parts List relates to the parts in use for the Yamaha Outboard Motor 6A/8A. When you are ordering replacement parts for the 6A/8A, refer to this Parts List and quote both part numbers and part names correctly.

1. Structure of Part No.

Yamaha parts are divided largely into two categories; general parts and standard parts, and each part No. has the following structure:



Note: Every standard No. begins with 9.

2. How to Use this Parts List

- (1) Except for steel balls (whose size is indicated in inches), the size of all parts is indicated in millimeters in the following manner.

Hose (rubber or vinyl)	Inside diameter - outside diameter - length
O-ring	Section area - inside diameter
Washer, shim, collar	Inside diameter - outside diameter - thickness (length)
Pin, dowel	Inside diameter - outside diameter - length

- (2) In the Parts List every component part of an assembly is so listed that each part name is indented one character from the left margin, and a dot (.) is attached before each.

Parts, which are not for sale, may be omitted from the list.

Example

Description	Q'ty
CARBURETOR ASS'Y	1
. JET, pilot	1
. NOZZLE, main	1
.	
.	
.	
. LEVER, stater	1

- (3) Key to symbols

U.R	Use size (thickness) and/or number as required
U.N	Use as many as you need
S	S type oil seal or S type circlip
SD	SD type oil seal
SW	SW type oil seal
E	E type circlip
R	R type circlip
T	Number of teeth in a gear
*	New parts number
☆}	Contents of gasket kit for power head
★}	Contents of gasket kit for lower unit
◇}	Contents of gasket kit for lower unit
◆}	Contents of gasket kit for lower unit
□}	Contents of water pump repair kit
■}	Contents of water pump repair kit

- (4) In this parts list, the right and left with respect to positions of parts are determined viewing the boat hull from the stern.

- (5) All spare parts used in the MODEL 8A, are listed in first edition of parts list for 6A/8A (REF NO. 655-28198-E5).

For your easy reference, we show the history of revision of the parts from the first engine of 6A/8A. We shall request you to apply this list in future, instead of the old one which have even been supplied to you. Please pay attention to the number of column of engine number, when you place order with us, so that you can avoid the order for wrong parts.

- (6) Indication for the revise of spare parts

The contents of this parts list is almost same as ordinary parts list. However, please note that this parts list have the indication of interchangeable parts. If any parts shown on the parts list have interchangeable parts, marks "◇" are indicated on the REMARKS.

Example

Parts No.	Description	Q'ty	Remarks
655-14301-01	CARBURETOR ASS'Y	1	◇
655-14301-02	CARBURETOR ASS'Y	1	

As soon as the parts marked by "◇" will be sold out, only the substituted parts will be sold automatically.

In other words, when 655-14301-01 will be sold out, only 655-14301-02 will be supplied to you instead of 655-14301-01.

- (7) This Parts List was prepared on Aug. , 10, 1976. If any part of the list is changed, it will be published in the Yamaha Parts News. It is requested, therefore, that you will keep this Parts List up-to-dated by making necessary corrections.

GASKET & REPAIR KIT

☆..... Indicates contents of gasket kit for power head.

{ 6AS-00601~01870
L-30301~31040
8AS-20161~26575
L-54716~62615

★..... Indicates contents of gasket kit for power head.

{ 6AS-01871~
L-31041~
8AS-28101~
L-64921~

◇..... Indicates contents of gasket kit for lower unit.

{ 6AS-00601~
L-30301~
8AS-20161~
L-54716~

□..... Indicates contents of water pump repair kit.

{ 6AS-~01870
L-~31040
8AS-~26575
L-~62615

■..... Indicates contents of water pump repair kit.

{ 6AS-01871~
L-31041~
8AS-28101~
L-64921~

GASKET & REPAIR KIT

Parts No.	Description	Q'ty		Remarks
		6A	8A	
☆----- Contents of gasket kit for power head -----		{ 6AS-00601 ~ 01870 L-30301 ~ 31040 8AS-20161 ~ 26575 L-54716 ~ 62615		
655-W0001-00	GASKET KIT FOR POWER HEAD	1s	1s	
655-11181-00	GASKET, cylinderhead	1	1	Ref. No. 1-18
655-12414-00	GASKET, thermostat	1	1	1-24
93210-42159	O-RING (2.4-42.4)	1	1	1-39
93210-42162	O-RING (2.4-42.4)	1	1	1-47
655-13647-01	GASKET, intake manifold 3	2	2	3-8
647-13621-00	PACKING, valve seat	2	2	3-9
655-13649-00	GASKET, intake manifold cover ..	1	1	3-12
647-13645-00	GASKET, intake manifold 1	2	2	3-17
647-14384-00	GASKET, float chamber	1	1	4-22
655-45113-00	GASKET, upper casing 1	1	1	5-2
655-44365-00	RUBBER, water seal 1	1	1	7-19
801-24431-00	GASKET, fuel pump	1	1	17-13
★----- Contents of gasket kit for power head -----		{ 6AS-01871 ~ ~ L-31041 ~ ~ 8AS-28101 ~ ~ L-64921 ~ ~		
655-W0001-10	GASKET KIT FOR POWER HEAD	1s	1s	
655-11181-00	GASKET, cylinderhead	1	1	Ref. No. 1-18
655-12414-00	GASKET, thermostat	1	1	1-24
93210-42159	O-RING (2.4-42.4)	1	1	1-39
93210-42162	O-RING (2.4-42.4)	1	1	1-47
655-13647-01	GASKET, intake manifold 3	2	2	3-8
647-13621-00	PACKING, valve seat	2	2	3-9
655-13649-00	GASKET, intake manifold cover ..	1	1	3-12
647-13645-00	GASKET, intake manifold 1	1	1	3-17
647-14384-01	GASKET, float chamber	1	1	4-22
655-45113-00	GASKET, upper casing 1	1	1	5-2
655-44365-00	RUBBER, water seal 1	1	1	7-19

GASKET & REPAIR KIT

Parts No.	Description	Q'ty		Remarks
		6A	8A	
801-24431-00	GASKET, fuel pump	1	1	17-13
655-24564-00	PACKING, filter	1	1	18-12
93210-35339	O-RING (2.0-34.5)	1	1	18-14
◇----- Contents of gasket kit for lower unit ----- { 6AS-00601 ~ L-36301 ~ 8AS-20161 ~ L-54716 ~ 				
655-W0001-20	GASKET KIT FOR LOWER UNIT	1s	1s	
90430-08020	GASKET	3	3	Ref. No. 6-12
90430-06015	GASKET	1	1	6-14
647-45315-00	PACKING, lower casing	1	1	6-29
93210-58144	O-RING (3.1-58.4)	1	1	6-60
655-44315-00	GASKET, water pump	1	1	7-7
93210-09165	O-RING (1.9-8.8)	2	2	11-8
□----- Contents of water pump repair kit ----- { 6AS-~01870 L-~31040 8AS-~26575 L-~62615 				
655-W0078-00-00	WATER PUMP REPAIR KIT	1s	1s	
90280-03024	KEY, woodruff	1	1	Ref. No. 6-35
655-44301-00-94	WATER PUMP HOUSING COMP.	1	1	7-1
655-44352-09	IMPELLER	1	1	7-5
655-44323-00	OUTER PLATE, cartridge	1	1	7-6
97370-06030	BOLT, hexagon	3	3	7-8
93101-18050	OIL SEAL (SD-18-28-6)	1	1	7-11
647-44328-60	PLATE	1	1	7-12
647-44312-00	COVER, water pump housing	1	1	7-13
91690-20006	PIN, spring	2	2	7-14
647-44314-00	SPACER	1	1	7-15
93210-24108	O-RING (2.5-24.0)	1	1	7-16
647-44366-00	RUBBER, water seal 2	1	1	7-17

GASKET & REPAIR KIT

Parts No.	Description	Q'ty		Remarks
		6A	8A	
■----- Contents of water pump repair kit -----				{ 6AS-01871 ~ L-31041 ~ 8AS-28101 ~ L-64921 ~
655-W0078-10-00	WATER PUMP REPAIR KIT	1s	1s	
90280-03024	KEY, woodruff	1	1	Ref. No. 6-35
650-44322-01	INSERT, cartridge	1	1	7-3
662-44352-00	IMPELLER	1	1	7-5
655-44323-01	OUTER PLATE, cartridge	1	1	7-6
655-44315-00	GASKET, water pump	1	1	7-7
97370-06040	BOLT, hexagon	3	3	7-9
647-44366-00	RUBBER, water seal 2	1	1	7-17

CONTENTS

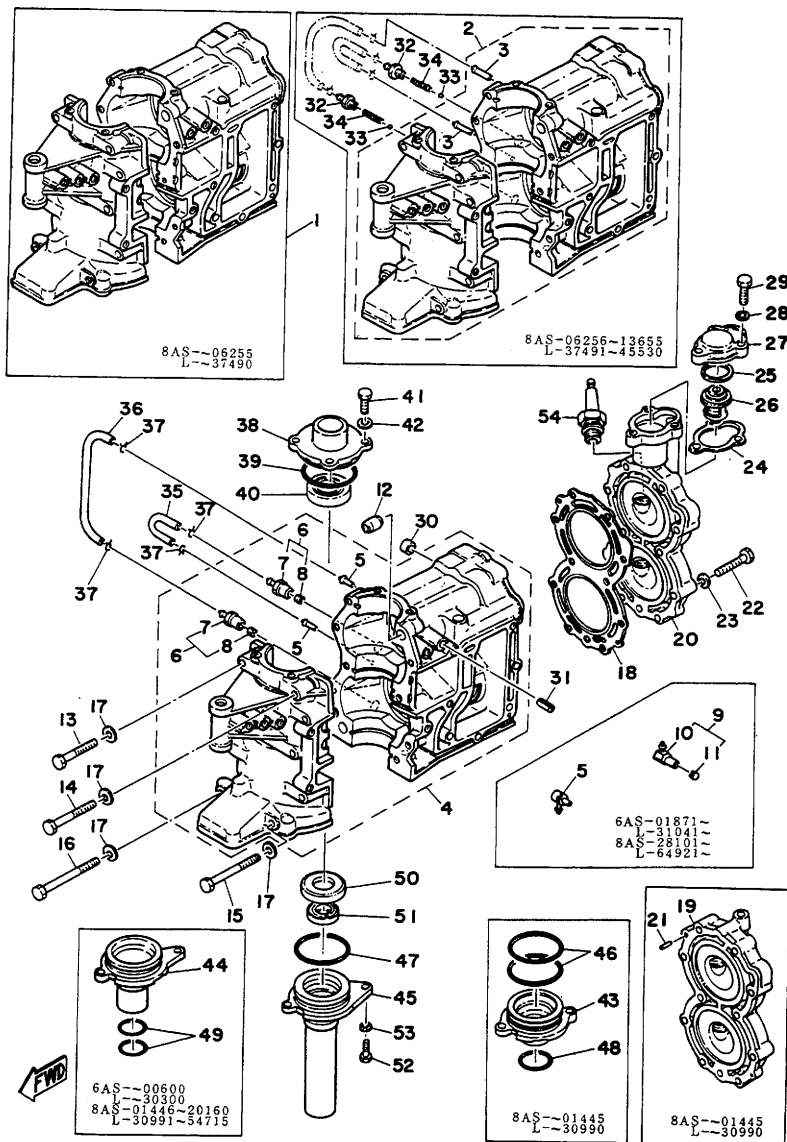
Fig. 1	Crankcase . Cylinder	1
Fig. 2	Crank . Piston	7
Fig. 3	Intake	11
Fig. 4	Carburetor	15
Fig. 5	Upper Casing	19
Fig. 6	Lower Casing . Drive	21
Fig. 7	Water Pump	29
Fig. 8	Bracket	31
Fig. 9	Tilt Lock	35
Fig. 10	Handle	39
Fig. 11	Gear Shift	43
Fig. 12	Throttle Control	47
Fig. 13	Flywheel Magneto	51
Fig. 14	Starter	55
Fig. 15	Top Cowling	59
Fig. 16	Bottom Cowling	63
Fig. 17	Fuel Pump	65
Fig. 18	Piping	67
Fig. 19	Fuel Tank	69

OPTIONAL PARTS

Fig. 20	Remote Control	73
---------	----------------------	----

NUMERICAL INDEX

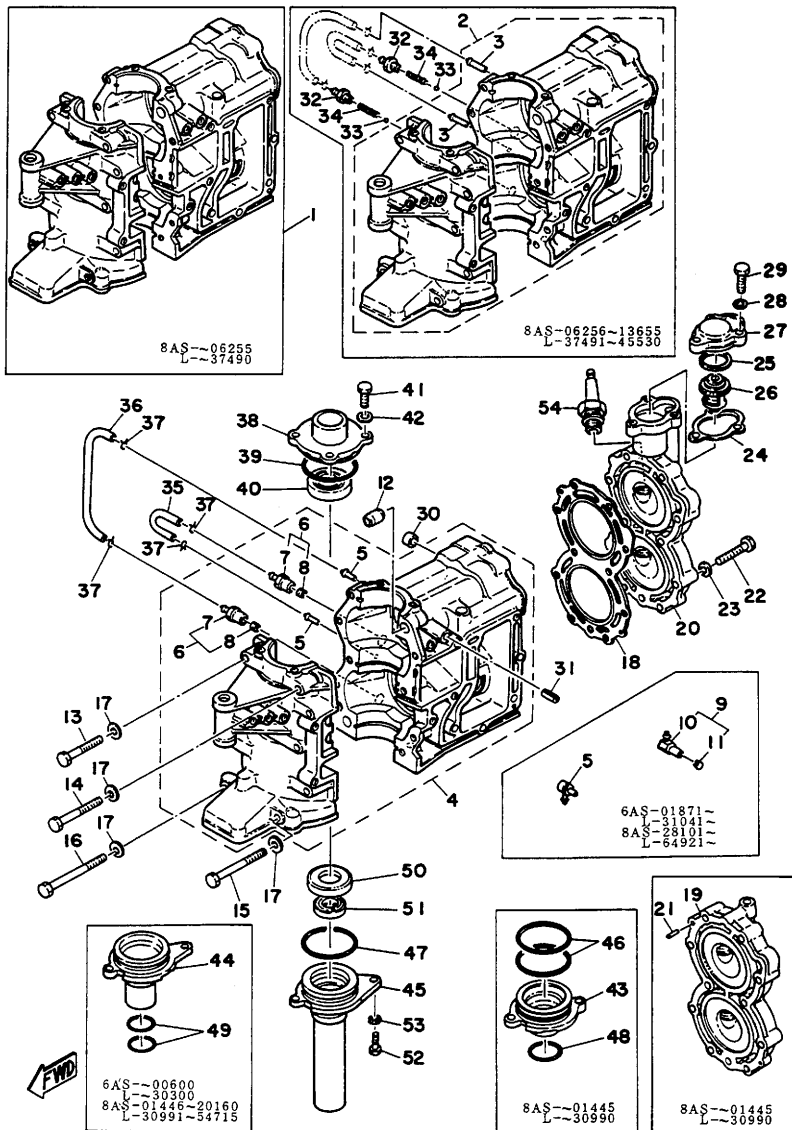
Fig. 1 CRANKCASE · CYLINDER



CRANKCASE · CYLINDER

Ref. No.	Parts No.	Description	Q'ty		Applicable Machine No.	Remarks
			6A	8A		
1- 1	655-15100-02-94	CRANKCASE ASS'Y	1	1	{ 8AS~06255 L~37490	
1- 2	655-15100-60-94	CRANKCASE ASS'Y	1	1	{ 8AS-06256~13655 L-37491~45530	
1- 3	624-14485-00	. PIPE, joint	2	2		
1- 4	655-15100-61-94	CRANKCASE ASS'Y	1	1	{ 6AS~01870 L~31040 L-45531~62615	
	* 655-15100-62-94	CRANKCASE ASS'Y	1	1		
1- 5	624-14485-00	. PIPE, joint	2	2	{ 6AS~01870 L~31040 L-45531~62615	
	* 650-14485-02	. PIPE, joint	2	2		
1- 6	624-11370-00	. CHECK VALVE ASS'Y	2	2	{ 6AS~01870 L~31040 L-45531~62615	
1- 7	624-11375-00	. . NIPPLE, hose 1	2	2		
1- 8	624-11379-00	. . VALVE, check 1	2	2	{ 6AS~01870 L~31040 L-45531~62615	
1- 9	* 650-11370-00	. CHECK VALVE ASS'Y	2	2		
1-10	* 650-11372-00	. . NIPPLE, hose 2	2	2	{ 6AS-01871~ L-31041~ 8AS-28101~ L-64921~	
1-11	624-11379-00	. . VALVE, check 1	2	2		
1-12	91830-21014	PIN, dowel A (6.4-10-15)	2	2		
1-13	97323-06045	BOLT, hexagon	7	7		
1-14	97323-06050	BOLT, hexagon	1	1		
1-15	97323-06065	BOLT, hexagon	1	1		
1-16	97323-06075	BOLT, hexagon	1	1		
1-17	90201-06043	WASHER, holding (626-11176-00)	10	10		
★1-18	655-11181-00	GASKET, cylinderhead	1	1		
1-19	647-11111-00-94	HEAD, cylinder 1	1	1	{ 8AS~01445 L~30990	
1-20	659-11111-00-94	HEAD, cylinder 1	1	1		
	655-11111-00-94	HEAD, cylinder 1	1	1	{ 8AS-01446~ L-30991~	
1-21	93604-10011	PIN, dowel B (4-10)	2	2	{ 8AS~13655 L~45530	
1-22	97323-06035	BOLT, hexagon	10	10		
1-23	90201-06043	WASHER, holding 2 (626-11176-00)	10	10		
★1-24	655-12414-00	GASKET, thermostat	1	1	{ 8AS-01446~ L-30991~	
1-25	648-12418-00	RING, thermostat	1	1	{ 8AS-01446~20160 L-30991~54715	
	90201-21567	WASHER, plate	1	1	{ 8AS-20161~ L-54716~	

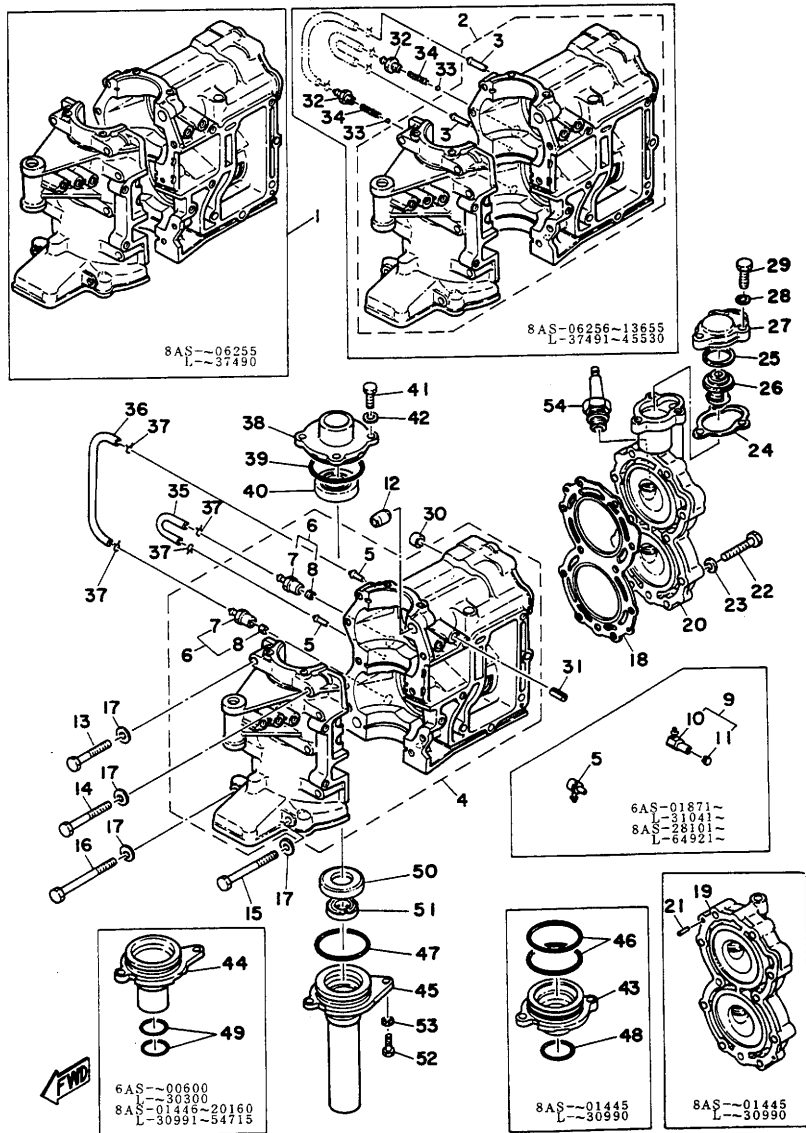
Fig. 1 CRANKCASE · CYLINDER



CRANKCASE · CYLINDER

Ref. No.	Parts No.	Description	Q'ty		Applicable Machine No.	Remarks	
			6A	8A			
1-26	655-12411-81	THERMOSTAT	1	1			
1-27	655-12413-00-94	COVER, thermostat	1	1	{ 6AS ~ 00600 L ~ 30300 8AS-01446 ~ 20160 L-30991 ~ 54715 6AS-00601 ~ L-30301 ~ 8AS-20161 ~ L-54716 ~		
	655-12413-01-94	COVER, thermostat	1	1			
1-28	92903-06100	WASHER, spring	3	3			
1-29	97323-06020	BOLT, hexagon	3	3			
1-30	647-82317-00	DAMPER, ignition coil	1	1			
1-31	91690-50014	PIN, spring	1	1			
1-32	624-14588-01	CONNECTOR	2	}	8AS-06256 ~ 13655 L-37491 ~ 45530		
1-33	93501-08001	BALL (1/8 inch)	2				
1-34	90501-02223	SPRING, compression	2				
1-35	655-24312-00	PIPE	1	1	{ 6AS ~ 01870 L ~ 31040 8AS-06256 ~ 26575 L-37491 ~ 62615		
	* 90445-07257	HOSE (2.5-7-50)	1	1			
1-36	90445-07255	HOSE (2.5-7-160)	1	1	{ 6AS ~ 01870 L ~ 31040 8AS-06256 ~ 26575 L-37491 ~ 62615		
	* 90445-07M00	HOSE (2.5-7-100)	1	1			
1-37	90467-06016	CLIP	4	4			
1-38	655-15359-00-94	HOUSING, oil seal	1	1	{ 6AS ~ 00600 L ~ 30300 8AS ~ 20160 L ~ 54715		
	655-15359-01-94	HOUSING, oil seal	1	1			
☆ ★1-39	93210-42159	O-RING (2.4-42.4)	1	1			
1-40	93102-20092	OIL SEAL (SD-20-36-7)	1	1			
1-41	97323-06015	BOLT, hexagon	4	4	{ 6AS ~ 00600 L ~ 30300 8AS ~ 20160 L ~ 54715		
	97323-06018	BOLT, hexagon	4	4			
1-42	92903-06600	WASHER, plate	4	4	{ 6AS-00601 ~ L-30301 ~ 8AS-20161 ~ L-54716 ~		
1-43	647-15396-00-94	HOUSING, oil seal 2	1	1	{ 8AS ~ 01445 L ~ 30990		
1-44	655-15396-00-94	HOUSING, oil seal 2	1	1	{ 6AS ~ 00600 L ~ 30300 8AS-01446 ~ 20160 L-30991 ~ 54715		
1-45	655-15396-01-94	HOUSING, oil seal 2	1	1			
1-46	93210-42159	O-RING (2.4-42.4)	2	2	{ 8AS ~ 01445 L ~ 30990		
☆ ★1-47	93210-42162	O-RING (2.4-42.4)	1	1	{ 8AS-01446 ~ L-30991 ~		
1-48	93210-24163	O-RING (2.5-24)	1	1	{ 8AS-01275 ~ 06255 L-20995 ~ 37490		
1-49	93210-19216	O-RING (2.2-19)	2	2	{ 6AS ~ 00600 L ~ 30300 8AS-06256 ~ 20160 L-37491 ~ 54715		

Fig. 1 CRANKCASE · CYLINDER

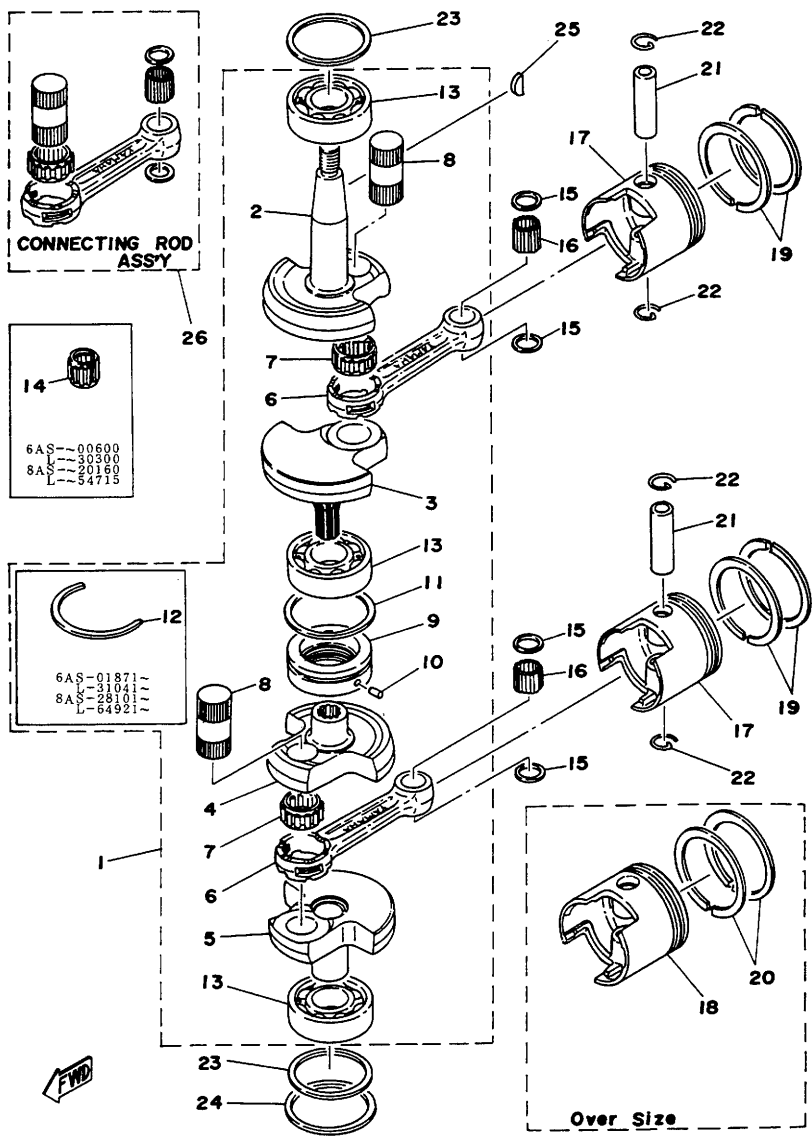


CRANKCASE · CYLINDER

Ref. No.	Parts No.	Description	Q'ty		Applicable Machine No.	Remarks
			6A	8A		
1-50	93102-20092	OIL SEAL (SD-20-36-7)	1	1		
1-51	93101-14077	OIL SEAL (S-14-25-6)	1	1		
1-52	97370-06015	BOLT, hexagon	2	2		
1-53	92990-06600	WASHER, plate	2	2		
1-54	94701-00069	PLUG, spark (B-5HS)	2			
	94701-00039	PLUG, spark (B-6HS)		2		



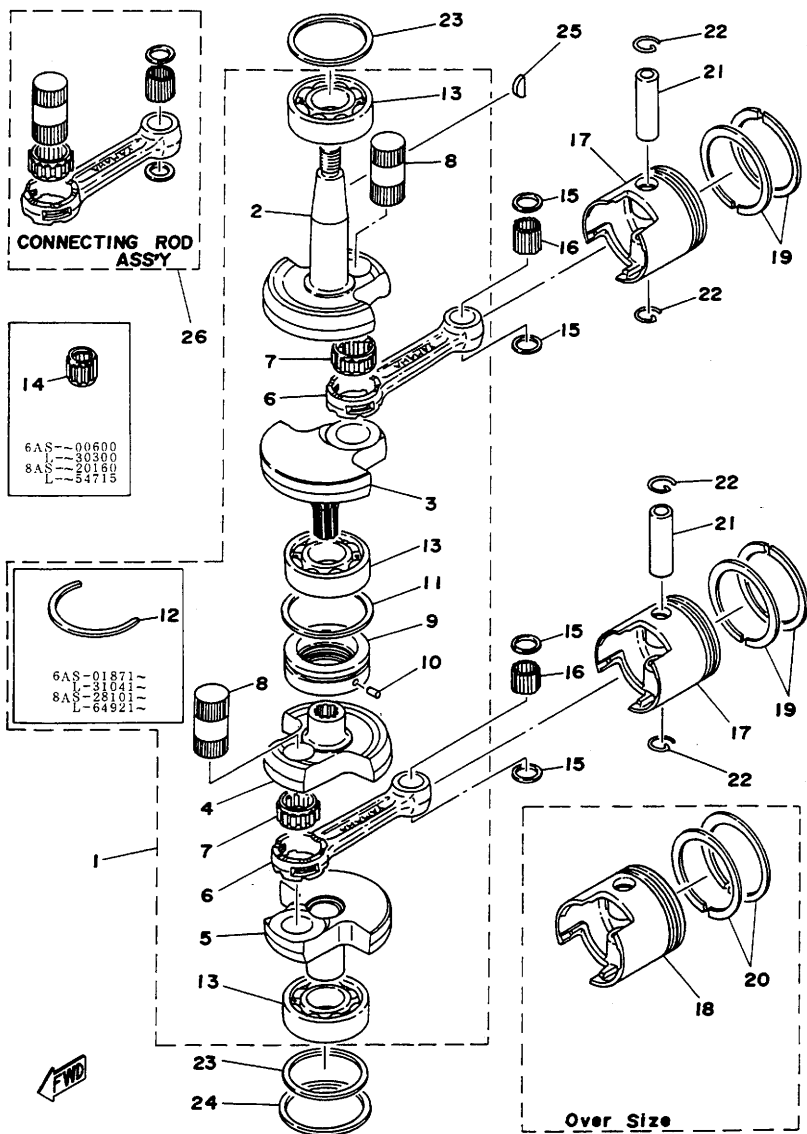
Fig. 2 CRANK · PISTON



CRANK · PISTON

Ref. No.	Parts No.	Description	Q'ty		Applicable Machine No.	Remarks
			6A	8A		
2- 1	655-11400-01	CRANK ASS'Y	1	1		
2- 2	647-11412-01	. CRANK 1	1	1		
2- 3	647-11422-01	. CRANK 2	1	1		
2- 4	647-11432-01	. CRANK 3	1	1		
2- 5	647-11442-01	. CRANK 4	1	1		
2- 6	647-11651-00	. ROD, connecting l.....	2	2		
2- 7	93310-41885	. BEARING, big end.....	2	2		
2- 8	655-11681-00	. PIN, crank	2	2		
2- 9	647-11515-00	. SEAL, labyrinth	1	1	{ 8AS-13655 ~ L-45530 ~	
	655-11515-00	. SEAL, labyrinth	1			
2-10	93603-08002	. PIN, dowel B	1	1	{ 8AS-13655 ~ L-45530 ~	
	91690-30010	. PIN, spring	1			
2-11	93440-45022	. CIRCLIP (45φ special)	1	1	{ 6AS-01870 ~ L-31040 ~ 8AS-28101 ~ L-62615 ~	
2-12	* 93440-47055	. CIRCLIP (45φ special)	1			
2-13	93306-20411	. BEARING (B-6204C3 special) ..	3	3		
2-14	93310-11268	BEARING, small end	2	2	{ 6AS-00600 ~ L-30300 ~ 8AS-20160 ~ L-54715 ~	
2-15	90201-12565	WASHER, plate	4			
2-16	93602-14118	BEARING, small end	56	56	{ 6AS-00601 ~ L-30301 ~ 8AS-20161 ~ L-54716 ~	
2-17	647-11631-00-97	PISTON (Standard 50.97mm)...	2	2	{ 6AS-01870 ~ L-31040 ~ 8AS-28101 ~ L-62615 ~	◇
	647-11631-00-98	PISTON (Standard 50.98mm)...				
	* 647-11631-01-96	PISTON (Standard 50.96mm)...				
	* 647-11631-01-97	PISTON (Standard 50.97mm)...	2	2	{ 6AS-01871 ~ L-31041 ~ 8AS-28101 ~ L-64921 ~	
	* 647-11631-01-98	PISTON (Standard 50.98mm)...				
2-18	647-11635-00	PISTON (Over Size 51.25mm)....	2	2	{ 6AS-01870 ~ L-31040 ~ 8AS-28101 ~ L-62615 ~	◇
	647-11636-00	PISTON (Over Size 51.50mm)....	2			
	* 647-11635-01	PISTON (Over Size 51.25mm)....	2	2	{ 6AS-01871 ~ L-31041 ~ 8AS-28101 ~ L-64921 ~	
	* 647-11636-01	PISTON (Over Size 51.50mm)....	2			
2-19	647-11610-00	PISTON RING SET (Standard)	2s	2s		

Fig. 2 CRANK · PISTON



6AS	--	00600
L	--	30300
8AS	--	20181
L	--	54715

6AS	-	01871
L	-	31041
8AS	-	28101
L	-	64921

Over Size

CRANK · PISTON

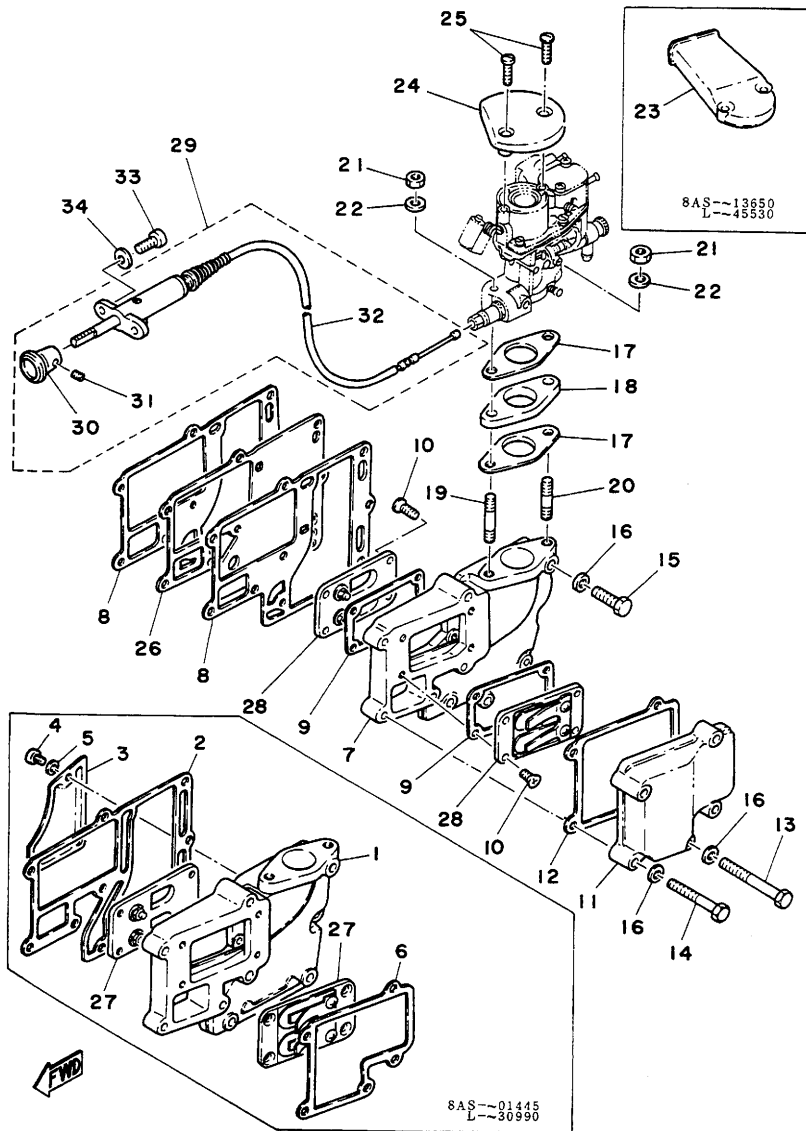
Ref. No.	Parts No.	Description	Q'ty		Applicable Machine No.	Remarks
			6A	8A		
2-20	647-11610-10	PISTON RING SET (Over Size 51.25mm)	2s	2s		
	647-11610-20	PISTON RING SET (Over Size 51.50mm)	2s	2s		
2-21	122-11633-00	PIN, piston	2	2		
2-22	93450-13022	CLIP (132-11634-00)	4	4		
2-23	647-11561-00-02	SHIM, crank 1 (40-46.7-0.2)...	}	U.R 2	U.R 2	
	647-11561-00-03	SHIM, crank 1 (40-46.7-0.3)...				
	647-11561-00-05	SHIM, crank 1 (40-46.7-0.5)...				
2-24	90201-41528	WASHER, plate (41-50-1.5)	1	1		
2-25	90280-04006	KEY, woodruff (626-11545-00) ...	1	1		

OPTIONAL PARTS

2-26	655-11650-00	CONNECTING ROD ASS'Y	2	2		
------	--------------	----------------------------	---	---	--	--

Ref. No.
6,7,8,15,16

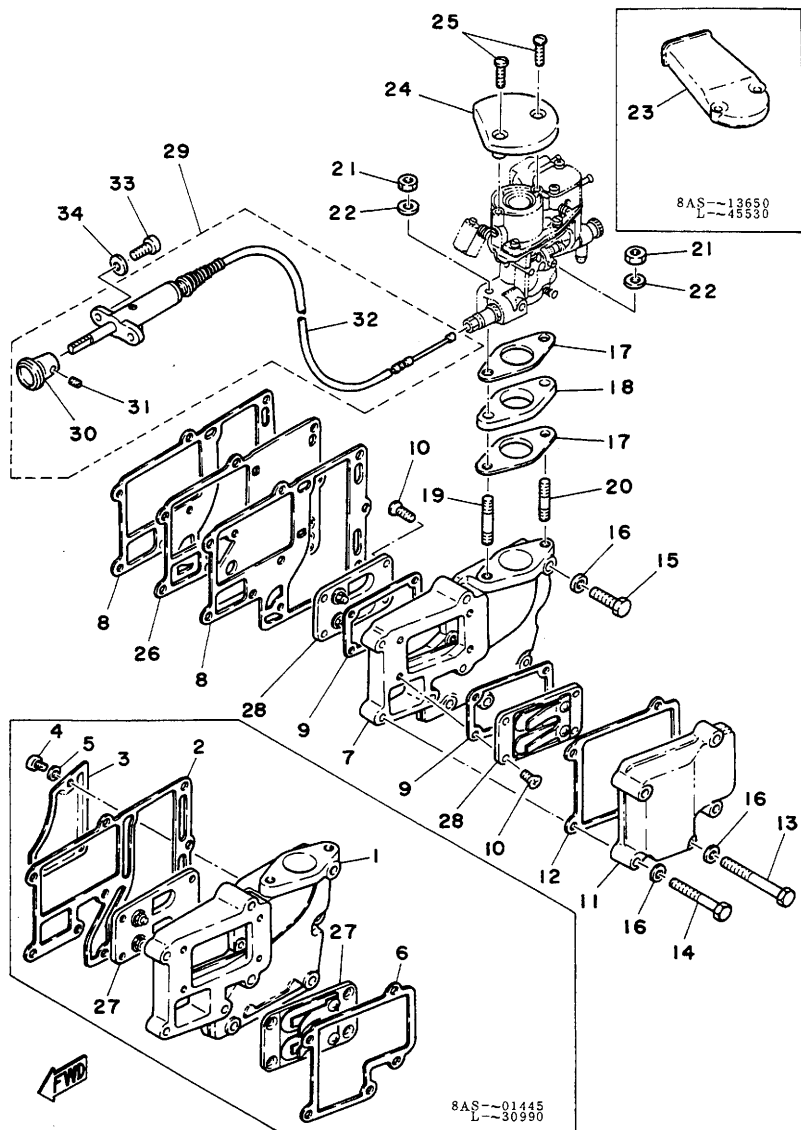
Fig. 3 INTAKE



INTAKE

Ref. No.	Parts No.	Description	Q'ty		Applicable Machine No.	Remarks
			6A	8A		
3- 1	647-13641-00-94	MANIFOLD, intake 1	1			
3- 2	647-13647-00	GASKET, intake manifold 3	1			
3- 3	647-41116-00	PROTECTOR	1			
3- 4	98380-05008	SCREW, cylinderhead	3		8AS-~01445 L~30990	
3- 5	92990-04600	WASHER, plate	3			
3- 6	647-13649-00	GASKET, intake manifold cover ..	1			
3- 7	655-13641-00-94	MANIFOLD, intake 1	1	1	8AS-01446~ L-30991~	
3- 8	655-13647-00	GASKET, intake manifold 3	2	2	8AS-~01445 L~30990	◇
★	655-13647-01	GASKET, intake manifold 3	2	2	8AS-01446~ L-30991~	
★	647-13621-00	PACKING, valve seat	2	2		
3-10	98702-05012	SCREW, flathead	8	8		
3-11	647-13643-00-94	COVER, intake manifold	1	1		
★	655-13649-00	GASKET, intake manifold cover ..	1	1	8AS-01446~ L-30991~	
3-13	97323-06055	BOLT, hexagon	3	3		
3-14	97323-06045	BOLT, hexagon	3	3		
3-15	97323-06025	BOLT, hexagon	4	4		
3-16	92903-06600	WASHER, plate	10	10		
★	647-13645-00	GASKET, intake manifold 1	2	2	6AS-~00600 L~30300 8AS-~21180 L~55970	
★	647-13645-00	GASKET, intake manifold 1	1	1	6AS-00601~ L-30300~ 8AS-21181~ L-55971~	
3-18	647-13646-01	GASKET, intake manifold 2	1	1	6AS-~00600 L~30300 8AS-~21180 L~55970	
3-19	90116-06147	BOLT, stud (647-13568-00)	1	1	8AS-~06255 L~37490	
	90116-06131	BOLT, stud	1	1	8AS-06256~ L-37491~	
3-20	90116-06123	BOLT, stud (647-13558-00)	1	1	8AS-~06255 L~37490	
	90116-06130	BOLT, stud	1	1	8AS-06256~21180 L-37491~55970	
	90116-06122	BOLT, stud (648-13558-00)	1	1	8AS-21181~ L-55971~	
3-21	95303-06700	NUT, hexagon	2	2		
3-22	92903-06600	WASHER, plate	2	2		
3-23	647-14417-00	COVER 1	1	1	8AS-~13650 L~45530	
3-24	655-14417-00	COVER 1	1	1	8AS-13651~ L-45531~	

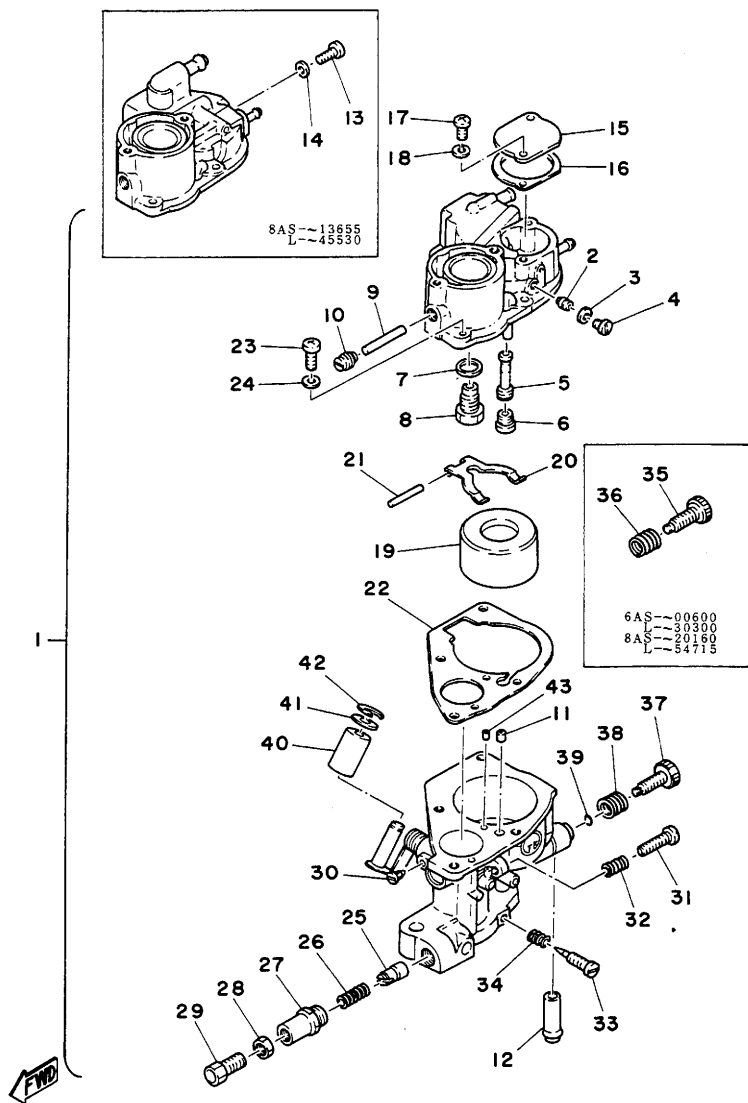
Fig. 3 INTAKE



INTAKE

Ref. No.	Parts No.	Description	Q'ty		Applicable Machine No.	Remarks
			6A	8A		
3-25	98103-04020	SCREW, ovalhead	2	2		
3-26	655-41116-00	PROTECTOR	1	1	{ 8AS-01446~ L-30991~	
3-27	647-13610-00	REED VALVE ASS'Y 1	2	2	{ 8AS-~ 01445 L-~ 30990	
3-28	655-13610-01	REED VALVE ASS'Y 1	2	2	{ 8AS-01446~ L-30991~	
3-29	647-41202-01	CAB-STARTER ASS'Y	1	1		
3-30	648-41227-00	. KNOB, starter	1	1		
3-31	647-41228-00	. SCREW	1	1		
3-32	647-26331-00	. WIRE, starter	1	1		
3-33	98503-05015	SCREW, panhead	2	2		
3-34	92903-05600	WASHER, plate	2	2		

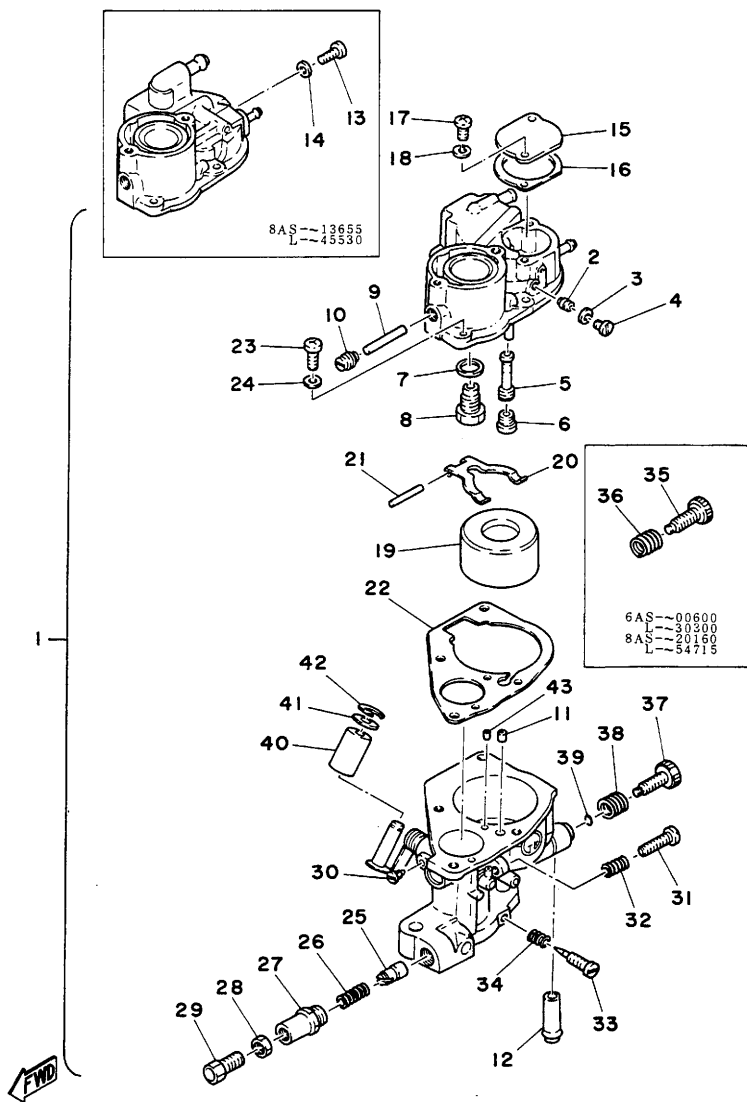
Fig. 4 CARBURETOR



CARBURETOR

Ref. No.	Parts No.	Description	Q'ty		Applicable Machine No.	Remarks
			6A	8A		
4- 1	671-14301-01	CARBURETOR ASS'Y	1		{ 6AS-~01870 L-~31040	
	671-14301-02	CARBURETOR ASS'Y	1		{ 6AS-01871~ L-31041~	
	655-14301-02	CARBURETOR ASS'Y	1		{ 8AS-~13655 L-~45530	
	655-14301-04	CARBURETOR ASS'Y	1		{ 8AS-13656~21180 L-45531~55970	
	655-14301-60	CARBURETOR ASS'Y	1		{ 8AS-21181~ L-55971~	
4- 2	655-14342-25	. JET, pilot (#50)	1			
	647-14342-21	. JET, pilot (#42)	1		{ 8AS-~06255 L-~27490	
	647-14342-25	. JET, pilot (#50)	1		{ 8AS-06256~ L-37491~	
4- 3	647-24438-00	. GASKET, body 5	1	1		
4- 4	647-14328-00	. SCREW, pilot stop	1	1		
4- 5	647-14351-00	. JET, emulsion	1	1		
4- 6	655-14343-33	. JET, main (#66)	1			
	647-14343-40	. JET, main (#80)	1		{ 8AS-~06255 L-~27490	
	647-14343-43	. JET, main (#86)	1		{ 8AS-06256~ L-37491~	
4- 7	626-14398-00	. GASKET	1	1		
4- 8	647-14390-12	. VALVE SEAT ASS'Y	1	1		
4- 9	671-14341-00	. NOZZLE, main	1			
	647-14341-00	. NOZZLE, main		1		
4-10	647-14345-00	. PLUG, main nozzle	1	1		
4-11	647-14344-35	. JET, starter (#70)	1	1	{ 6AS-~00600 L-~30300	
	647-14344-50	. JET, starter (#100)	1	1	{ 8AS-~21180 L-~55970 6AS-00601~ L-30301~ 8AS-21181~ L-55971~	
4-12	626-14349-00	. PIPE 1	1	1		
4-13	98503-04012	. SCREW, panhead	1		} 8AS-~13655 L-~45530	
4-14	92990-04100	. WASHER, spring	1			
4-15	647-14157-00	. COVER	1	1	} 8AS-13656~ L-45531~	
4-16	647-14227-00	. GASKET	1	1		
4-17	98503-04008	. SCREW, panhead	2	2		
4-18	92990-04100	. WASHER, spring	2	2		
4-19	647-14385-00	. FLOAT	1	1		

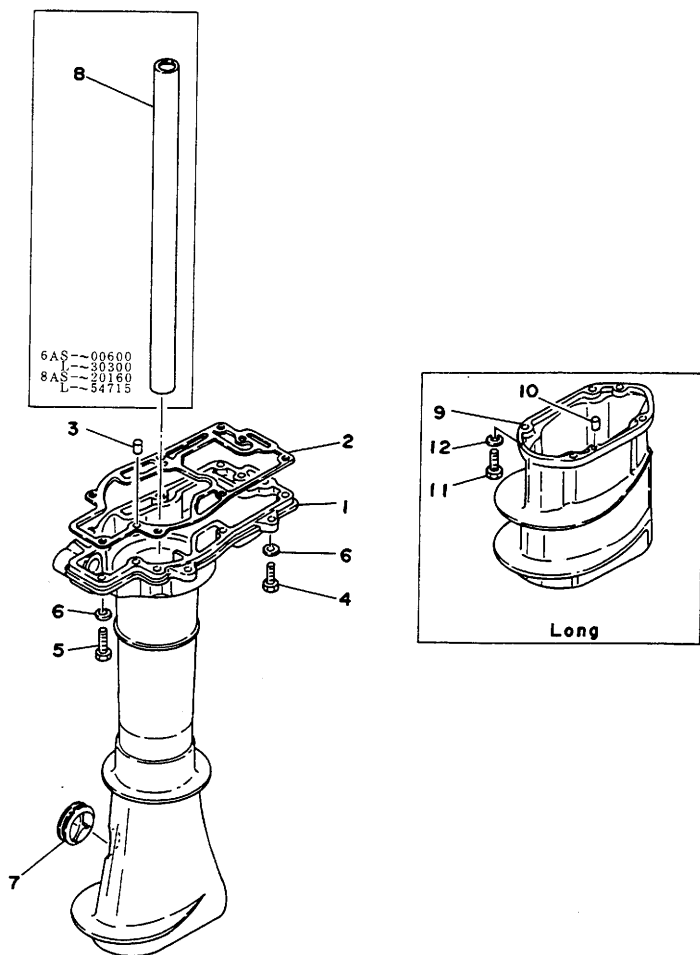
Fig. 4 CARBURETOR



CARBURETOR

Ref. No.	Parts No.	Description	Q'ty		Applicable Machine No.	Remarks
			6A	8A		
4-20	647-14387-00	. ARM, float	1	1		
4-21	647-14386-00	. PIN, float	1	1		
☆ 4-22	647-14384-00	. GASKET, float chamber	1	1	6AS ~ 01870 L ~ 31040 8AS ~ 26375 L ~ 52515	
★	647-14384-01	. GASKET, float chamber	1	1		6AS-01871 ~ L-31041 ~ 8AS-26101 ~ L-64921 ~
4-23	98503-04012	. SCREW, panhead	4	4		
4-24	92990-04100	. WASHER, spring	4	4		
4-25	647-14371-01	. PLUNGER, starter	1	1		
4-26	647-14335-00	. SPRING, plunger	1	1		
4-27	647-14374-00	. CAP, plunger	1	1		
4-28	647-14161-00	. NUT	1	1		
4-29	647-14124-00	. BOLT	1	1		
4-30	647-14326-00	. SCREW, guide	1	1		
4-31	647-14321-00	. SCREW, throttle	1	1		
4-32	647-14333-00	. SPRING, throttle stop	1	1		
4-33	647-14323-00	. SCREW, air adjusting	1	1		
4-34	647-14334-00	. SPRING, air adjusting	1	1		
4-35	650-14394-01	. VALVE, drain	1	1	6AS ~ 00600 L ~ 30300 8AS ~ 20150 L ~ 54715	
4-36	650-14223-00	. SPRING, drain valve	1	1		
4-37	646-14394-00	. VALVE, drain	1	1	6AS-00601 ~ L-30301 ~ 8AS-20161 ~ L-54716 ~	
4-38	646-14223-01	. SPRING, drain valve	1	1		
4-39	646-14397-00	. O-RING	1	1		
4-40	647-41231-00	. COLLAR, guide pin	1	1		
4-41	92990-05200	. WASHER, plain	1	1		
4-42	93430-04031	. CIRCLIP (E-4)	1	1		
4-43	659-14353-00	. JET, pilot 2	1			

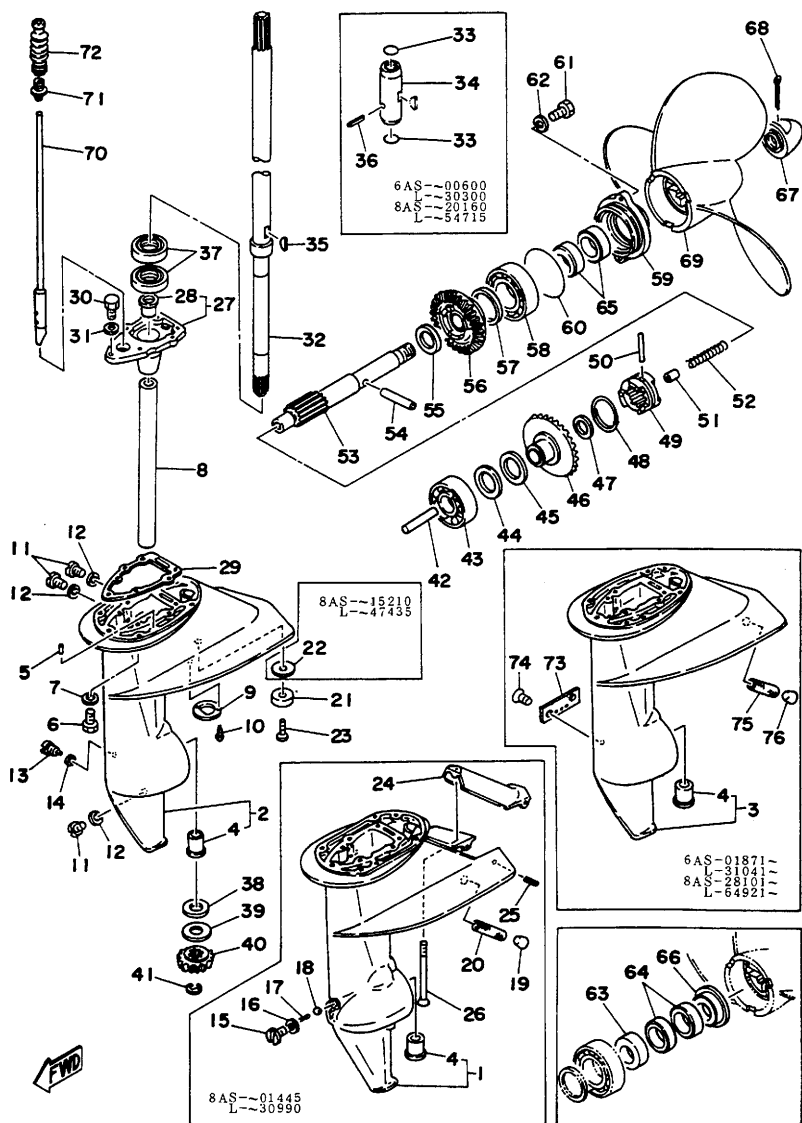
Fig. 5 UPPER CASING



UPPER CASING

Ref. No.	Parts No.	Description	Q'ty		Applicable Machine No.	Remarks
			6A	8A		
5- 1	647-45111-09-F6	CASING, upper	1		{ 8AS-~01275 L-~30995	Metallic Ocean Blue
	655-45111-00-F6	CASING, upper	1	1	{ 6AS-~00600 L-~30300 8AS-01276~20160 L-30996~54715	Metallic Ocean Blue
	655-45111-01-F6	CASING, upper	1		{ S-20161~20660 L-54716~55465	Metallic Ocean Blue
	655-45111-02-F6	CASING, upper	1	1	{ 6AS-00601~ L-30301~ 8AS-20661~ L-55466~	Metallic Ocean Blue
5- 2	647-45113-00	GASKET, upper casing 1	1		{ 8AS-~01445 L-~30990	
★	655-45113-00	GASKET, upper casing 1	1	1	{ 8AS-01446~ L-30991~	
5- 3	93605-08041	PIN, dowel B (5-8)	2	2		
5- 4	97370-06020	BOLT, hexagon	4	4		
5- 5	97370-06025	BOLT, hexagon	7	7		
5- 6	92990-06600	WASHER, plate	11	11		
5- 7	647-45151-01	COVER, upper casing 1	1	1		
5- 8	647-45114-00	GASKET (Standard 369mm)		1	8AS-~01445	
	655-45114-01	GASKET (Standard 349mm)	1	1	{ 6AS-~00600 8AS-01446~20160	
	647-45114-10	GASKET (Long 509mm)		1	8AL-~30990	
	655-45114-11	GASKET (Long 489mm)	1	1	{ 6AL-~30300 8AL-30991~54715	
5- 9	647-45211-10-F6	EXTENSION (Long 140mm)	1	1		Metallic Ocean Blue
5-10	93604-08062	PIN, dowel B (4-8) (Long)	2	2		
5-11	97370-06020	BOLT, hexagon (Long)	4	4		
5-12	92990-06600	WASHER, plate (Long)	4	4		

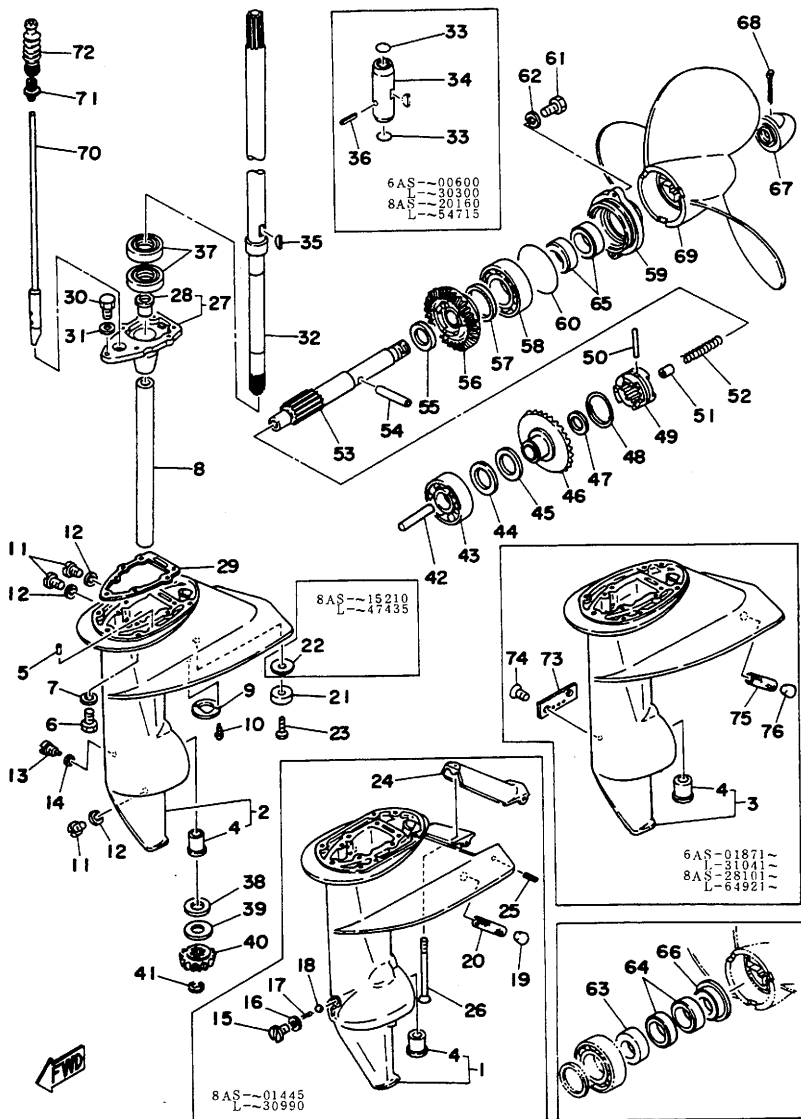
Fig. 6 LOWER CASING · DRIVE



LOWER CASING-DRIVE

Ref. No.	Parts No.	Description	Q'ty		Applicable Machine No.	Remarks
			6A	8A		
6-1	647-45310-01-F6	LOWER CASING ASS'Y	1		{ 8AS-~01445 L-~30990	Metallic Ocean Blue
6-2	655-45310-00-F6	LOWER CASING ASS'Y	1	1	{ 6AS-~01870 L-~31040 8AS-01446~28100 L-30921~64920	Metallic Ocean Blue
6-3	* 655-45310-01-F6	LOWER CASING ASS'Y	1	1	{ 6AS-01871~ L-31041~ 8AS-28101~ L-64921~	Metallic Ocean Blue
6-4	647-45316-09	. BUSHING, drive shaft	1	1		
6-5	93604-08062	PIN, dowel B (4-8)	2	2		
6-6	97370-06020	BOLT, hexagon	4	4		
6-7	92990-06600	WASHER, plate	4	4		
6-8	90387-14108	COLLAR (647-45526-00)	1	1		
6-9	655-45214-01-F6	COVER, water inlet	1	1		Metallic Ocean Blue
6-10	90269-02002	RIVET (620-43397-00)	2	2	{ 6AS-~01870 L-~31040 8AS-~28100 L-~64920	
6-11	90340-08014	PLUG, drain (647-45341-00)	3	3		
◇6-12	90430-08020	GASKET (604-45342-00)	3	3		
6-13	90149-06003	SCREW, detent (626-44165-00)...	1	1		
◇6-14	90430-06015	GASKET (626-44166-00)	1	1		
6-15	90340-10015	PLUG, detent (647-44164-00)	1		} 8AS-~01445 L-~30990	
6-16	90430-10026	GASKET (647-44163-00)	1			
6-17	90501-10059	SPRING (647-44116-00)	1			
6-18	93501-04011	BALL, steel (1/4 inch)	1			
6-19	90334-10008	PLUG, blind 1 (626-45247-00)....	1			
6-20	626-45215-00	COVER, water inlet 2	1			
6-21	616-45251-30	ANODE	1	1		
6-22	616-45252-30	SEAT	1		{ 8AS-~15210 L-~47435	
6-23	92180-06018	SCREW, ovalhead	1	1		
6-24	647-45312-00-F6	CASING, lower 2	1		} 8AS-~01445 L-~30990	Metallic Ocean Blue
6-25	91690-40010	PIN, spring	2			
6-26	98280-05080	SCREW, flathead	1			
6-27	647-45331-00-94	HOUSING, bearing 1	1	1		
6-28	647-45316-09	. BUSHING	1	1		
◇6-29	647-45315-00	PACKING, lower casing	1	1		

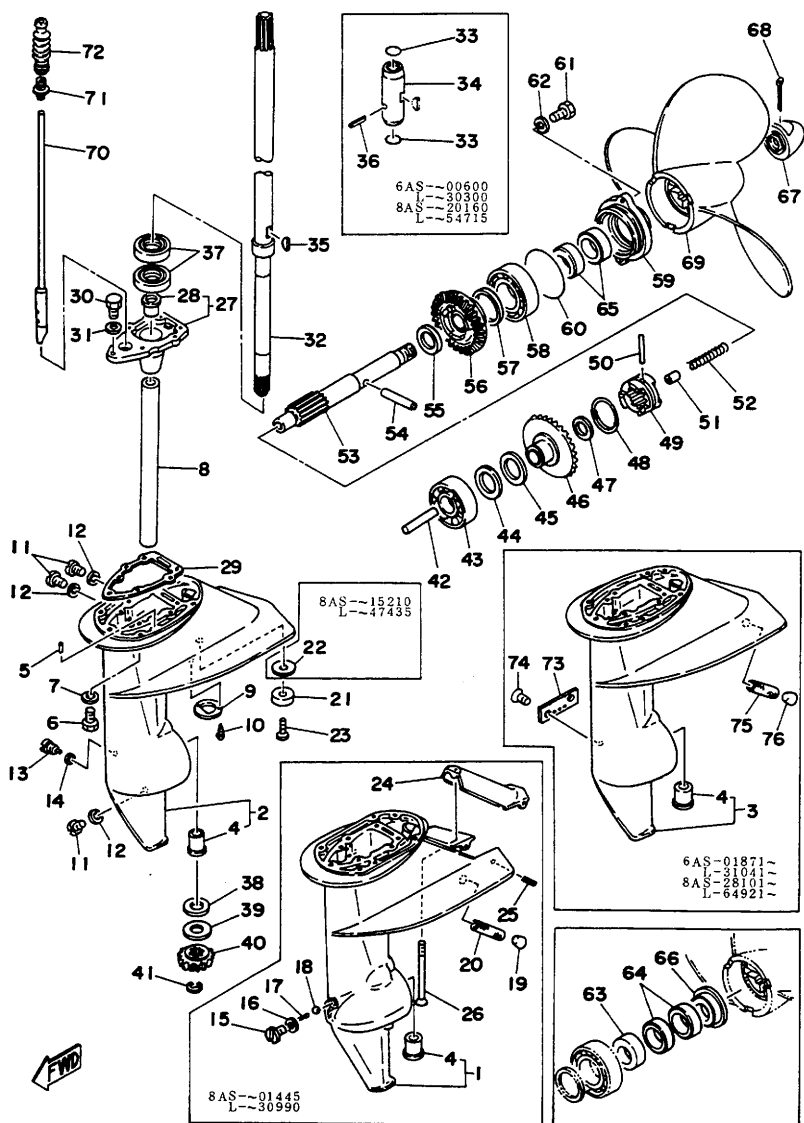
Fig. 6 LOWER CASING · DRIVE



LOWER CASING DRIVE

Ref. No.	Parts No.	Description	Q'ty		Applicable Machine No.	Remarks
			6A	8A		
6-30	97370-06020	BOLT, hexagon	2	2		
6-31	92990-06600	WASHER, plate	2	2		
6-32	647-45511-00	SHAFT, drive (Standard 640mm)	1		8AS ~ 01445	
	647-45511-10	SHAFT, drive (Long 780mm)	1		8AL ~ 30990	
	647-45511-01	SHAFT, drive (Standard 644mm)	1	1	{ 6AS ~ 00600 8AS-01446 ~ 20160	
	647-45511-11	SHAFT, drive (Long 784mm)	1	1	{ 6AL ~ 30300 8AL-30991 ~ 54715	
	655-45501-00	DRIVE SHAFT COMP. (Standard 644mm)	1	1	{ 6AS-00601 ~ 8AS-20161 ~	
	655-45501-10	DRIVE SHAFT COMP. (Long 784mm)	1	1	{ 6AL-30301 ~ 8AL-54716 ~	
6-33	93210-12158	O-RING (2-11.5)	2	2	{ 6AS ~ 00600 L ~ 30300 8AS ~ 20160 L ~ 54715	
6-34	647-45527-00	COLLAR, drive shaft 2	1		{ 8AS ~ 01445 L ~ 30990	
	647-45527-01	COLLAR, drive shaft 2	1	1	{ 6AS ~ 00600 L ~ 30300 8AS-01446 ~ 20160 L-30991 ~ 54715	
□ 6-35	90280-03024	KEY, woodruff	1	1		
■ 6-36	91690-35016	PIN, spring	1	1	{ 6AS ~ 00600 L ~ 30300 8AS ~ 20160 L ~ 54715	
6-37	93101-18050	OIL SEAL (S-18-28-6)	2	2		
6-38	90201-12161	WASHER (647-45534-00)	U.R	U.R		
6-39	647-45533-00-08	WASHER, thrust (12-22-0.8)...	}	}	U.R U.R	1 1
	647-45533-00-10	WASHER, thrust (12-22-1.0)...				
	647-45533-00-12	WASHER, thrust (12-22-1.2)...				
	647-45533-00-14	WASHER, thrust (12-22-1.4)...				
6-40	647-45551-00	PINION (13T)	1	1		
6-41	93430-07012	CIRCLIP (E-7)	1	1		
6-42	654-45635-00	PLUNGER, shift	1	1		
6-43	93306-00401	BEARING (B6004)	1	1		
6-44	647-45567-00	SHIM (20.3-28-0.1)	U.R	U.R		
6-45	624-45567-00-03	SHIM (20.3-28-0.3)	}	}	U.R U.R	1 1
	624-45567-00-05	SHIM (20.3-28-0.5)				
6-46	647-45560-00	GEAR 1 ASS'Y (27T)	1	1		
6-47	90201-13198	WASHER, thrust 1 (647-45566-00)	1	1		

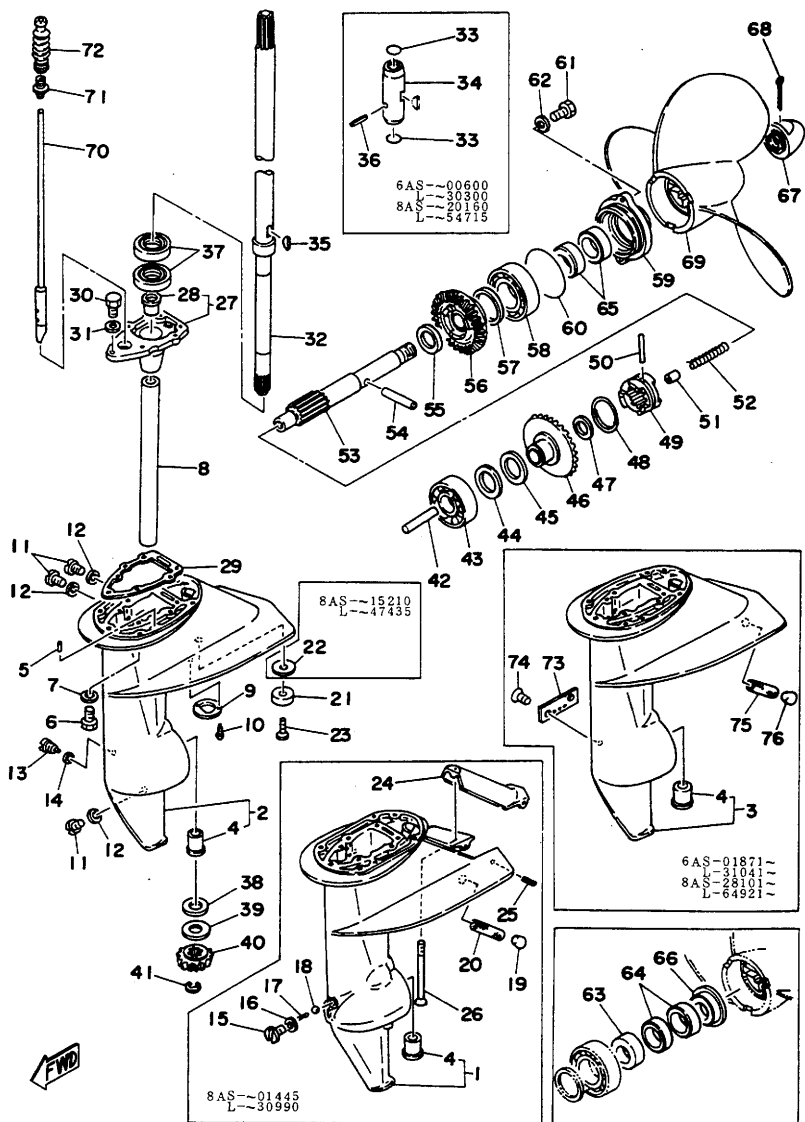
Fig. 6 LOWER CASING · DRIVE



LOWER CASING · DRIVE

Ref. No.	Parts No.	Description	Q'ty		Applicable Machine No.	Remarks
			6A	8A		
6-48	93440-30040	RING, cross pin	1	1		
6-49	655-45631-00	CLUTCH, dog	1	1		
6-50	93604-26079	PIN, dowel B (4-25.8)	1	1	{ 8AS-~01445 L-~30990	
	93605-29098	PIN, dowel B (5-29.0)	1	1	{ 8AS-01446~ L-30991~	
6-51	648-45634-00	SLIDE, shift	1	1		
6-52	90501-10064	SPRING (616-45636-00)	1	1		
6-53	647-45611-00	SHAFT, propeller	1	1	{ 8AS-~01445 L-~30990	
	655-45611-00	SHAFT, propeller	1	1	{ 8AS-01446~ L-30991~	
6-54	90250-05036	PIN, shear (616-45615-00)	1	1		
6-55	90201-15229	WASHER, thrust (647-45576-00)	1	1		
6-56	647-45570-01	GEAR 2 ASS'Y (27T)	1	1		
6-57	626-45577-00-01	SHIM, gear adjust 2 (25.3-32-0.1)	}	U.R	U.R	
	626-45577-00-03	SHIM, gear adjust 2 (25.3-32-0.3)				
	626-45577-00-05	SHIM, gear adjust 2 (25.3-32-0.5)				
6-58	93306-00501	BEARING (B6005)	1	1		
6-59	655-45361-01-F6	CAP, lower casing	1	1	{ 6AS-~01870 L-~31040 8AS-~26575 L-~62615	◇ Metallic Ocean Blue
	* 655-45361-02-F6	CAP, lower casing	1	1	{ 6AS-01871~ L-31041~ 8AS-28101~ L-64921~	Metallic Ocean Blue
◇ 6-60	93210-58144	O-RING (3.1-58.4)	1	1		
6-61	97370-06020	BOLT, hexagon	2	2		
6-62	92990-06600	WASHER, plate	2	2		
6-63	647-45650-00	DRIVE SHAFT COLLAR ASS'Y ...	1	1	{ 8AS-~01450 L-~35310	
6-64	93101-18050	OIL SEAL (S-18-28-6)	2	2	{ 8AS-~13655 L-~45530	
6-65	93101-15074	OIL SEAL (S-15-28-6)	2	2	{ 8AS-13656~ L-45531~	
6-66	647-45344-00	COVER, oil seal	1	1	{ 8AS-~01445 L-~30990	
6-67	647-45616-00	NUT, propeller	1	1	{ 6AS-~01870 L-~31040 8AS-~26575 L-~62615	◇
	* 647-45616-01	NUT, propeller	1	1	{ 6AS-01871~ L-31041~ 8AS-28101~ L-64921~	
6-68	91490-30030	PIN, cotter	1	1		

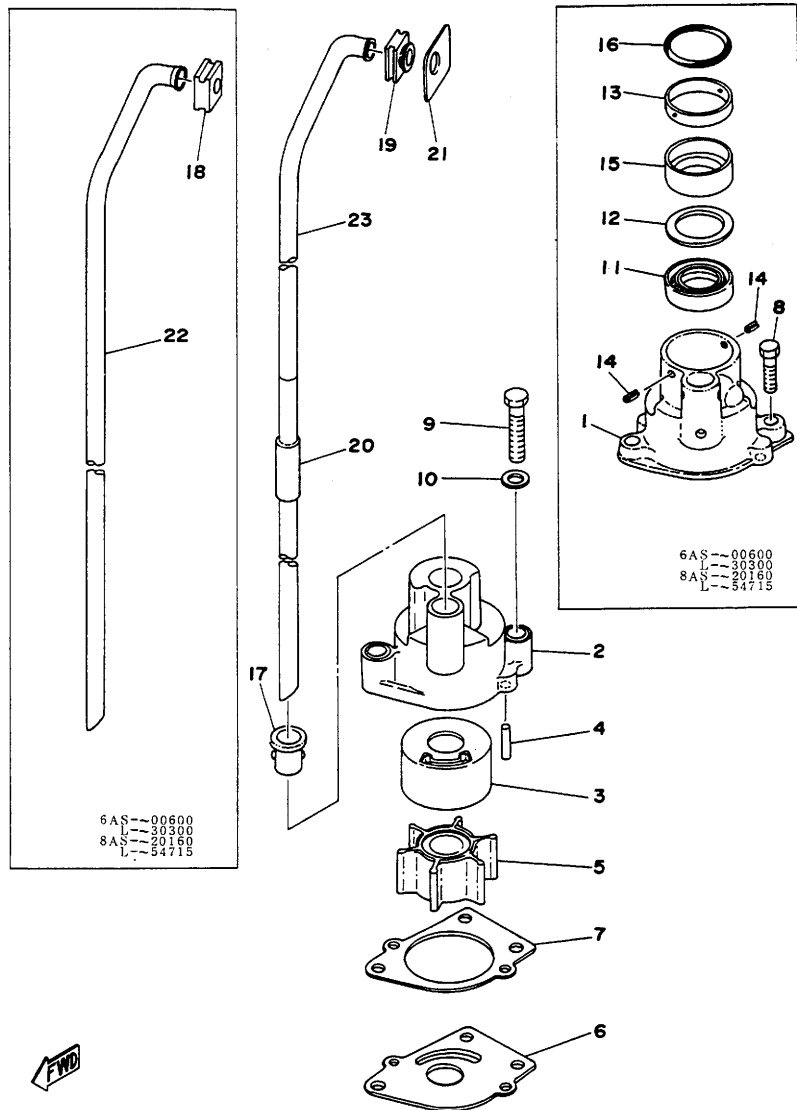
Fig. 6 LOWER CASING · DRIVE



LOWER CASING·DRIVE

Ref. No.	Parts No.	Description	Q'ty		Applicable Machine No.	Remarks	
			6A	8A			
6-69	647-45926-00-38	PROPELLER ASS'Y 8 (2 x 9 x 7 -C)	}	U R 1 1			
	647-45941-00-36	PROPELLER ASS'Y 1 (3 x 9 1/2 x 9 1/2 -C)					White
	647-45943-00-36	PROPELLER ASS'Y 2 (3 x 9 x 7 -C)					White
	647-45947-00-36	PROPELLER ASS'Y 4 (3 x 9 x 9 -C)					White
	655-45943-00-36	PROPELLER ASS'Y 2 (3 x 9 x 7 1/2 -C)					White
	655-45945-00-36	PROPELLER ASS'Y 3 (3 x 9 x 6 1/4 -C)					White
	655-45947-01-36	PROPELLER ASS'Y 4 (3 x 9 x 5 3/4 -C)					White
	655-45949-00-36	PROPELLER ASS'Y 5 (3 x 9 x 5 -C)					White
6-70	647-44150-00	SHIFT CAM ASS'Y (Standard 307mm)	1	8AS-~01445			
	647-44150-10	SHIFT CAM ASS'Y (Long 447mm)	1	8AL-~30990			
	655-44150-00	SHIFT CAM ASS'Y (Standard 311mm)	1	1	8AS-00101 ~ 8AS-01446 ~		
	655-44150-10	SHIFT CAM ASS'Y (Long 451mm)	1	1	6AL-30101 ~ 8AL-30991 ~		
6-71	647-44152-01	BUSHING, shift cam	1	1			
6-72	647-44147-00	BOOT, shift rod	1	1			
6-73	* 655-45214-02-F6	COVER, water inlet	1	1		} Metallic Ocean Blue	
6-74	* 98180-05015	SCREW, ovalhead	2	2			
6-75	626-45215-00	COVER, water inlet 2	1	1	6AS-01871 ~ L-31041 ~ 8AS-28101 ~ L-64921 ~		
6-76	90334-10008	PLUG, blind	1	1			

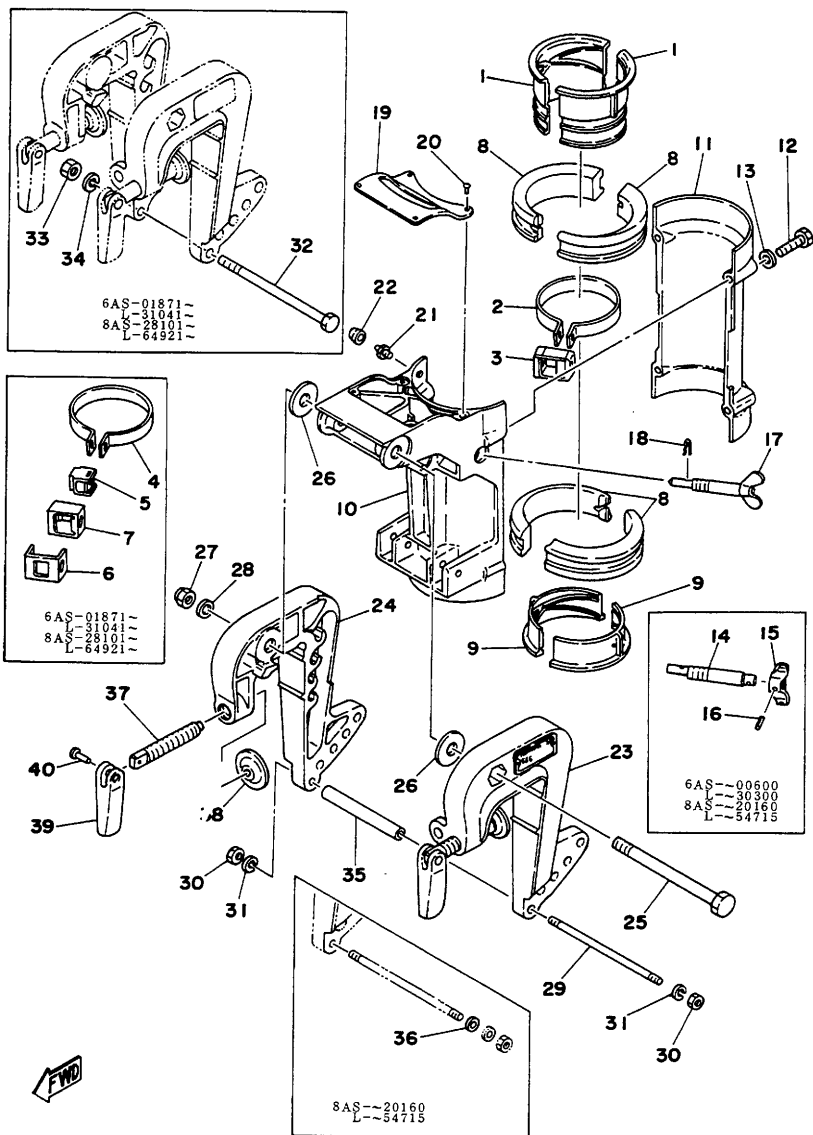
Fig. 7 WATER PUMP



WATER PUMP

Ref. No.	Parts No.	Description	Q'ty		Applicable Machine No.	Remarks
			6A	8A		
□ 7- 1	655-44301-00-94	WATER PUMP HOUSING COMP.	1	1	{ 6AS ~ 00600 L ~ 30300 8AS ~ 20160 L ~ 54715	
7- 2	655-44311-02	HOUSING WATER PUMP	1	1	{ 6AS-00601 ~ L-30301 ~ 8AS-20161 ~ L-54716 ~	
■ 7- 3	650-44322-01	INSERT, cartridge	1	1	{ 6AS-00601 ~ L-30301 ~ 8AS-20161 ~ L-54716 ~	
7- 4	93604-18080	PIN, dowel B (4-18.4)	2	2		
□ 7- 5	655-44352-09	IMPELLER	1	1	{ 6AS ~ 00600 L ~ 30300 8AS ~ 20160 L ~ 54715	
■ 7- 6	662-44352-00	IMPELLER	1	1	{ 6AS-00601 ~ L-30301 ~ 8AS-20161 ~ L-54716 ~	
□ 7- 6	655-44323-00	OUTER PLATE, cartridge	1	1	{ 6AS ~ 00600 L ~ 30300 8AS ~ 20160 L ~ 54715	
■ 7- 7	655-44323-01	OUTER PLATE, cartridge	1	1	{ 6AS-00601 ~ L-30301 ~ 8AS-20161 ~ L-54716 ~	
◇ 7- 7	655-44315-00	GASKET, water pump	1	1	{ 6AS-00601 ~ L-30301 ~ 8AS-20161 ~ L-54716 ~	
□ 7- 8	97370-06030	BOLT, hexagon	3	3	{ 6AS ~ 00600 L ~ 30300 8AS ~ 20160 L ~ 54715	
■ 7- 9	97370-06040	BOLT, hexagon	3	3	{ 6AS-00601 ~ L-30301 ~ 8AS-20161 ~ L-54716 ~	
7-10	92990-06600	WASHER, plate	3	3		
7-11	93102-18102	OIL SEAL (SD-18-28-8)	1	1	{ 8AS ~ 05045 L ~ 34990	
□ 7-12	93101-18050	OIL SEAL (SD-18-28-6)	1	1	{ 6AS ~ 00600 L ~ 30300 8AS ~ 20160 L-34991 ~ 54715	
□ 7-13	647-44328-60	PLATE	1	1	{ 6AS ~ 00600 L ~ 30300 8AS ~ 20160 L-34991 ~ 54715	
□ 7-14	647-44312-00	COVER, water pump housing	1	1		
□ 7-14	91690-20006	PIN, spring	2	2	{ 6AS ~ 00600 L ~ 30300 8AS ~ 20160 L ~ 54715	
□ 7-15	647-44314-00	SPACER	1	1	{ 6AS ~ 00600 L ~ 30300 8AS ~ 20160 L ~ 54715	
□ 7-16	93210-24108	O-RING (2.5-24.0)	1	1		
■ 7-17	647-44366-00	RUBBER, water seal 2	1	1		
7-18	647-44365-00	RUBBER, water seal 1	1	1	{ 6AS ~ 00600 L ~ 30300 8AS ~ 20160 L ~ 54715	
☆ 7-19	655-44365-00	RUBBER, water seal 1	1	1	{ 6AS-00601 ~ L-30301 ~ 8AS-20161 ~ L-54716 ~	
7-20	90445-11262	BUSHING, rubber (647-44374-00)	1	1		
7-21	655-44373-00	SET PLATE, water tube	1	1	{ 6AS-00601 ~ L-30301 ~ 8AS-20161 ~ L-54716 ~	
7-22	647-44361-00	TUBE, water (Standard 375mm)..	1	1	{ 6AS ~ 00600 8AS ~ 20160	
7-23	647-44361-10	TUBE, water (Long 515mm)	1	1	{ 6AL ~ 30300 8AL ~ 54715	
7-23	655-44361-00	TUBE, water (Standard 373mm)..	1	1	{ 6AS-00601 ~ 8AS-20161 ~	
7-23	655-44361-10	TUBE, water (Long 513mm)	1	1	{ 6AL-30301 ~ 8AL-54716 ~	

Fig. 8 BRACKET

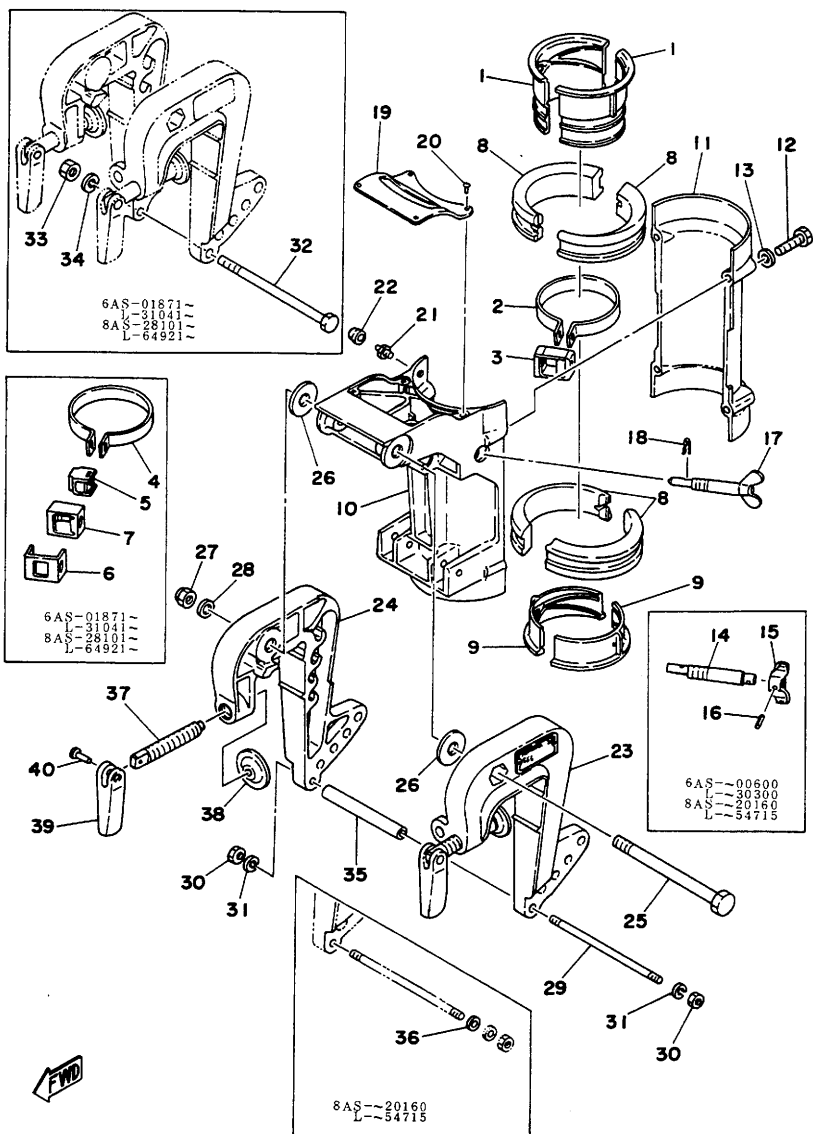


FWD

BRACKET

Ref. No.	Parts No.	Description	Q'ty		Applicable Machine No.	Remarks
			6A	8A		
8- 1	647-42537-00	BUSHING, pivot shaft 1	2	2		
8- 2	647-42525-00	PLATE, friction 1	1	1	6AS ~ 01870 L ~ 31040 8AS ~ 27825 L ~ 64090	
8- 3	647-42526-00	PLATE, friction 2	1	1		
8- 4	* 655-42525-00	PLATE, friction 1	1	1		
8- 5	* 655-42526-00	PLATE, friction 2	1	1	6AS-01871 ~ L-31041 ~ 8AS-28101 ~ L-64921 ~	
8- 6	* 655-42527-00	PLATE, friction 3	1	1		
8- 7	* 655-42532-00	COVER 1	1	1		
8- 8	655-42539-00	BUSHING, pivot shaft 3	4	4		
8- 9	647-42538-00	BUSHING, pivot shaft 2	2	2		
8-10	655-43311-00-F6	BRACKET, swivel 1	1	1	6AS ~ 01870 L ~ 31040 8AS ~ 27075 L ~ 62615	Metallic Ocean Blue
	* 655-43311-01-F6	BRACKET, swivel 1	1	1		6AS-01871 ~ L-31041 ~ 8AS-28101 ~ L-64921 ~
8-11	647-43312-00-F6	BRACKET, swivel 2	1	1		Metallic Ocean Blue
8-12	97370-06040	BOLT, hexagon	4	4		
8-13	92990-06600	WASHER, plate	4	4		
8-14	90149-10025	SCREW (647-42529-00)	1	1	6AS ~ 00600 L ~ 30300 8AS ~ 20160 L ~ 54715	Metallic Ocean Blue
8-15	616-43372-00-F6	NUT, wing	1	1		
8-16	91690-25014	PIN, spring	1	1		
8-17	655-42529-00	SCREW	1	1	6AS-00601 ~ L-30301 ~ 8AS-20161 ~ L-54716 ~	
8-18	90468-10003	PIN, hair 1 (647-41235-00)	1	1	6AS ~ 01870 L ~ 31040 8AS ~ 28575 L ~ 62615	
8-19	647-43318-00-F6	COVER	1	1	6AL ~ 30300 8AS ~ 01275 L ~ 30995	Metallic Ocean Blue
	655-43318-00-F6	COVER	1	1		6AS-00101 ~ L-30301 ~ 8AS-01276 ~ L-30996 ~
8-20	90269-02002	RIVET (620-43397-00)	4	4		
8-21	93700-06004	NIPPLE, grease	2	2		
8-22	663-45119-00	CAP, grease nipple	2	2		
8-23	620-43111-00-F6	BRACKET, clamp 1	1	1		Metallic Ocean Blue
8-24	620-43112-00-F6	BRACKET, clamp 2	1	1		Metallic Ocean Blue
8-25	90101-10106	BOLT (647-43131-00)	1	1		
8-26	90201-10524	WASHER, plate	2	2		

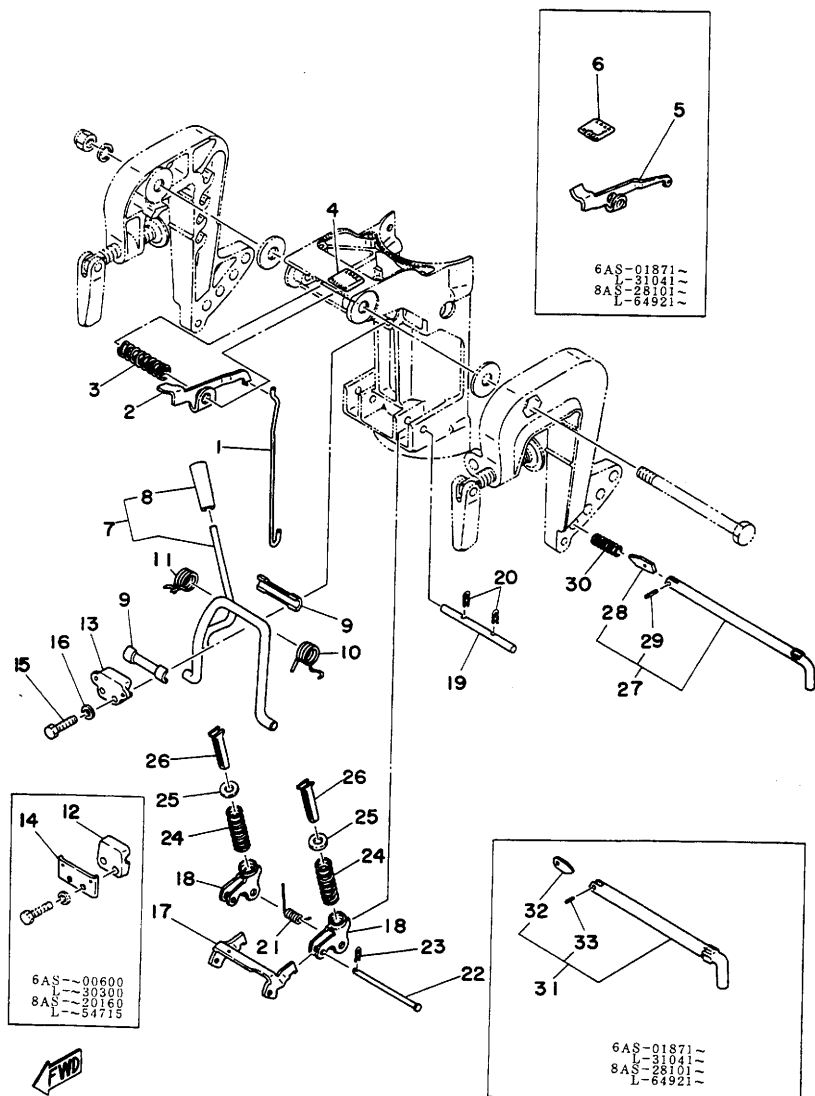
Fig. 8 BRACKET



BRACKET

Ref. No.	Parts No.	Description	Q'ty		Applicable Machine No.	Remarks
			6A	8A		
8-27	90185-10016	NUT (615-43138-00)	1	1	{ 6AS ~ 01870 L ~ 31040 8AS ~ 28100 L ~ 64920 { 6AS-01871 ~ L-31041 ~ 8AS-28101 ~ L-64921 ~	
	90185-10051	NUT	1	1		
8-28	90201-10130	WASHER, plate (615-43132-00) ..	1	1		
8-29	90116-06101	BOLT (647-43143-00)	1	1	{ 6AS ~ 01870 L ~ 31040 8AS ~ 27075 L ~ 62615	
8-30	95380-06600	NUT, hexagon	2	2		
8-31	92990-06100	WASHER, spring	2	2		
8-32	* 90101-06336	BOLT, hexagon	1	1	{ 6AS-01871 ~ L-31041 ~ 8AS-28101 ~ L-64921 ~	
8-33	95380-06600	NUT, hexagon	1	1		
8-34	92990-06100	WASHER, spring	1	1		
8-35	90560-06088	SPACER TUBE (626-43141-00)...	1	1		
8-36	92990-06600	WASHER, plate		2	{ 8AS ~ 20160 L ~ 54715	
8-37	90149-12029	SCREW (620-43116-00)	2	2		
8-38	648-43114-01	PAD, transom clamp	2	2		
8-39	616-43118-00-F6	HANDLE, transom clamp	2	2		Metallic Ocean Blue
8-40	90243-04001	PIN (620-43117-00)	2	2		

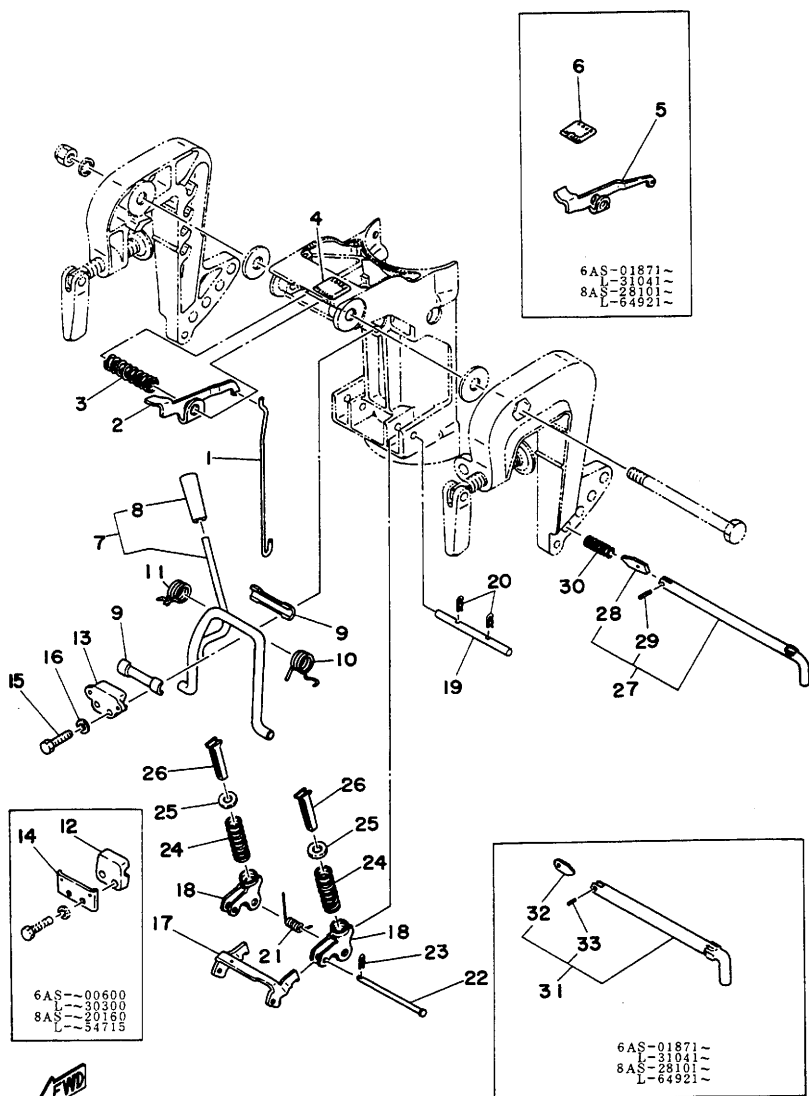
Fig. 9 TILT LOCK



TILT LOCK

Ref. No.	Parts No.	Description	Q'ty		Applicable Machine No.	Remarks
			6A	8A		
9- 1	647-43616-00	ROD, tilt lock 1	1	1		
9- 2	647-43631-00	LEVER, tilt	1	1		
9- 3	90501-16104	SPRING (647-43642-00)	1	1	} 6AS~ 01870 L~ 31040 8AS~ 27075 L~ 62615	
9- 4	650-43691-01	INDICATOR, tilt	1	1		
9- 5	* 655-43631-00	LEVER, tilt	1	1	} 6AS-01871~ L-31041~ 8AS-28101~ L-64921~	
9- 6	* 655-43691-00	INDICATOR, tilt	1	1		
9- 7	647-43180-09	TILT STOP LEVER ASS'Y	1	1		
9- 8	620-43632-00	. KNOB, tilt	1	1		
9- 9	620-43189-00	BUSHING	2	2		
9-10	90508-16021	SPRING 1 (647-43188-00)	1	1		
9-11	90508-16020	SPRING 2 (647-43198-00)	1	1		
9-12	626-43313-00-F6	BRACKET, swivel 3	1	1	} 6AS~ 00600 L~ 30360 8AS~ 20160 L~ 54715	Metallic Ocean Blue
9-13	654-43313-00-F6	BRACKET, swivel 3	1	1		
9-14	620-43319-00	PLATE	1	1	} 6AS~ 00600 L~ 30360 8AS~ 20160 L~ 54715	
9-15	97370-06025	BOLT, hexagon	2	2		
9-16	92990-06600	WASHER, plate	2	2		
9-17	647-43614-00	PLATE, tilt lock 1	1	1		
9-18	647-43615-01	PLATE, tilt lock 2	2	2		
9-19	647-43659-00	SHAFT, reverse lock	1	1		
9-20	90468-10003	PIN, hair (647-41235-00)	2	2		
9-21	90508-18022	SPRING (647-43657-00)	1	1		
9-22	90240-05047	PIN, with hole	1	1		
9-23	90468-10005	PIN, hair (626-41235-00)	1	1		
9-24	90501-26147	SPRING (647-43656-00, Standard, Long)	2	2		
9-25	647-43627-01	STOPPER 1	2	2		
9-26	647-43613-00	ARM, tilt lock	2	2		
9-27	626-43160-01	TILT ROD ASS'Y	1	1		
9-28	648-43165-00	. STOPPER PLATE	1	1	} 6AS~ 01870 L~ 31040 8AS~ 26375 L~ 62615	◇
9-29	91690-20008	. PIN, spring	1	1		

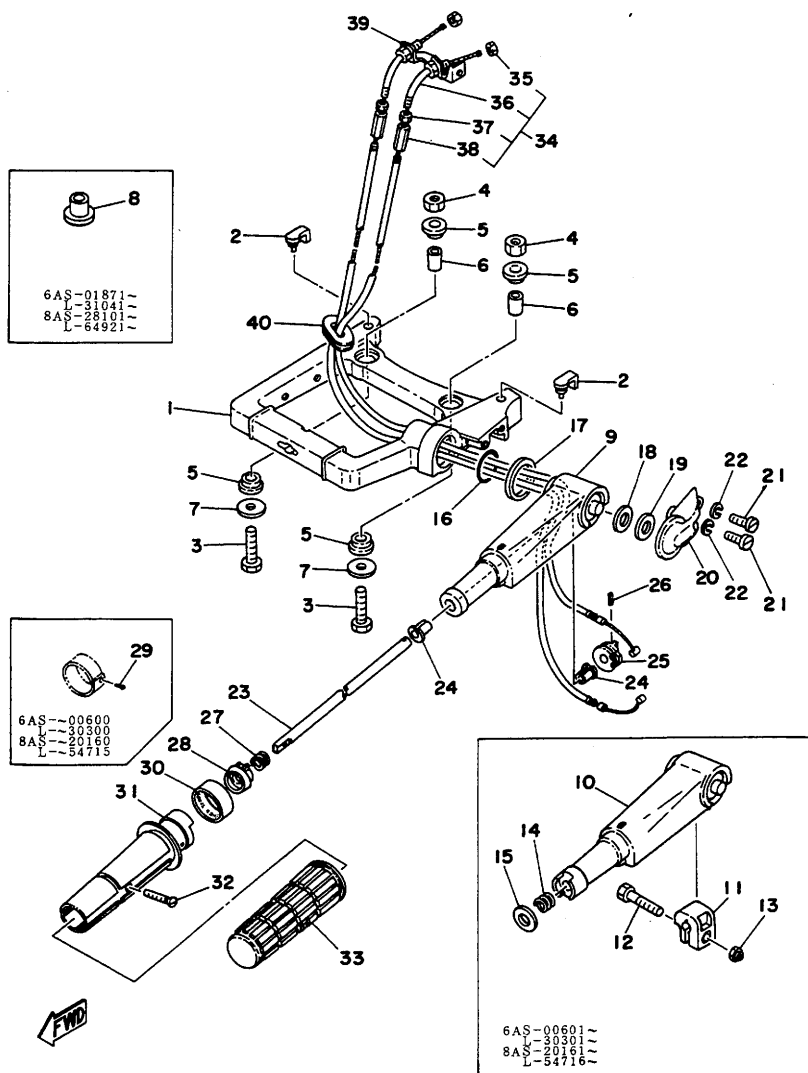
Fig. 9 TILT LOCK



TILT LOCK

Ref. No.	Parts No.	Description	Q'ty		Applicable Machine No.	Remarks
			6A	8A		
9-30	90502-10014	SPRING, conical (611-43162-00)..	1	1		
9-31	* 650-43160-00	TILT ROD ASS'Y	1	1		} 6AS-01871 ~ L-31041 ~ 8AS-28101 ~ L-64921 ~
9-32	* 656-43165-01	. STOPPER PLATE	1	1		
9-33	* 91690-30008	. PIN, spring	1	1		

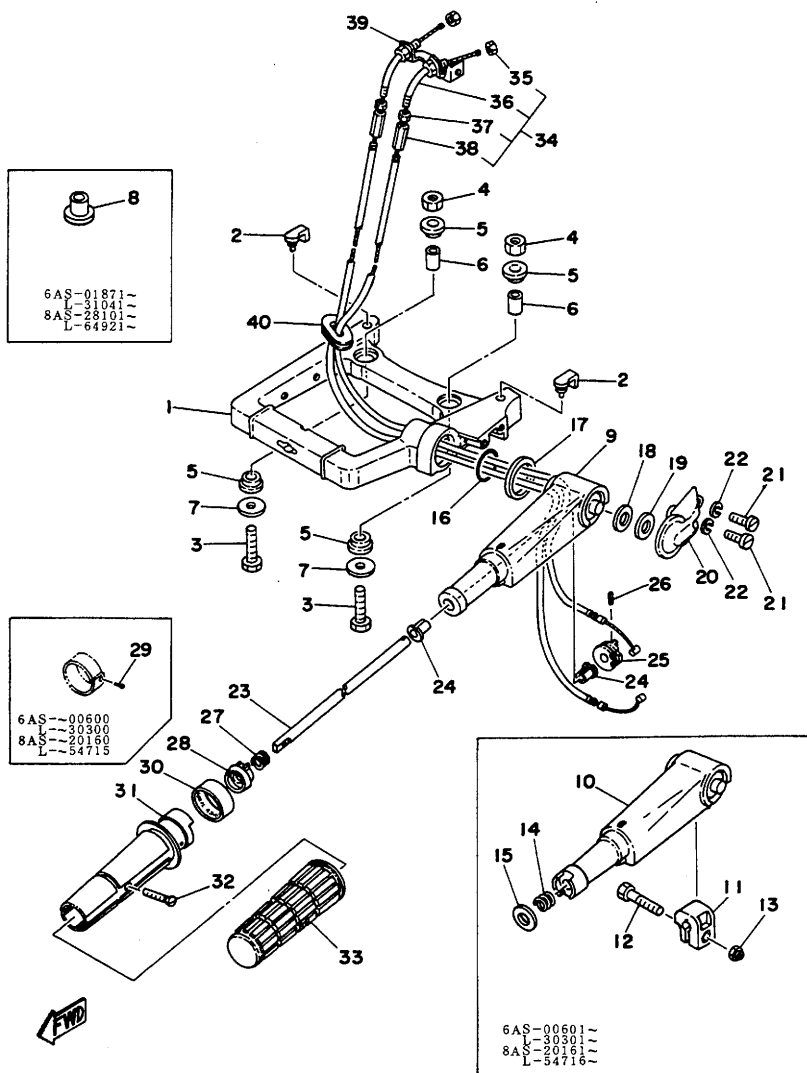
Fig. 10 HANDLE



HANDLE

Ref. No.	Parts No.	Description	Q'ty		Applicable Machine No.	Remarks
			6A	8A		
10- 1	647-42511-00-F6	BRACKET, steering	1	1	{ 8AS-~01445 L~30990	Metallic Ocean Blue
	655-42511-00-F6	BRACKET, steering	1	1	{ 8AS-01446~ L-30991~	
10- 2	647-42523-00	SPACER, friction	2	2		
10- 3	97370-08035	BOLT, hexagon	2	2		
10- 4	95303-08600	NUT, hexagon	2	2	{ 6AS-00601~ L-30301~ 8AS-20161~ L-54716~	
10- 5	647-42541-00	RUBBER	4	4		
10- 6	90443-11005	PIPE (647-42542-00 8.1-18)	2	2	{ 6AS-~01870 L~31040 8AS-~24375 L~62615	
10- 7	90201-08309	WASHER, plate (647-42548-00)	2	2		
10- 8	* 655-42542-00	PIPE 1	2	2		{ 6AS-01871~ L-31041~ 8AS-28101~ L-64921~
10- 9	647-42111-00-F6	HANDLE, steering 1	1	1	{ 6AS-~00600 L~30300 8AS-~20160 L~54715	Metallic Ocean Blue
10-10	647-42111-02-F6	HANDLE, steering 1	1	1		
10-11	656-42126-01	PIECE, friction	1	1	{ 6AS-00601~ L-30301~ 8AS-20161~ L-54716~	Metallic Ocean Blue
10-12	97370-06020	BOLT, hexagon	1	1		
10-13	90185-06062	NUT, self locking	1	1		
10-14	90501-23215	SPRING	1	1		
10-15	92990-10600	WASHER, plate	1	1		
10-16	93210-25032	O-RING (3.0-24.5)	1	1		
10-17	90560-30085	SPACER, handle 2 (647-42156-00)	1	1		
10-18	90560-12075	SPACER, handle 1 (647-42155-00)	1	1		
10-19	647-42157-00-05	SPACER, handle 3 (12.3-26-0.5)	}	U.R. 1~2 1~2		
	647-42157-00-06	SPACER, handle 3 (12.3-26-0.6)				
	647-42157-00-08	SPACER, handle 3 (12.3-26-0.8)				
10-20	647-42112-00-F6	HANDLE, steering 2	1	1		Metallic Ocean Blue
10-21	92380-06020	SCREW, cylinderhead	2	2		
10-22	92990-06100	WASHER, spring	2	2		
10-23	647-42115-00	SHAFT, steering handle	1	1	{ 8AS-~05245 L~35085	
	655-42115-00	SHAFT, steering handle	1	1	{ 8AS-05246~ L-35086~	
10-24	90386-08032	BUSHING	2	2		

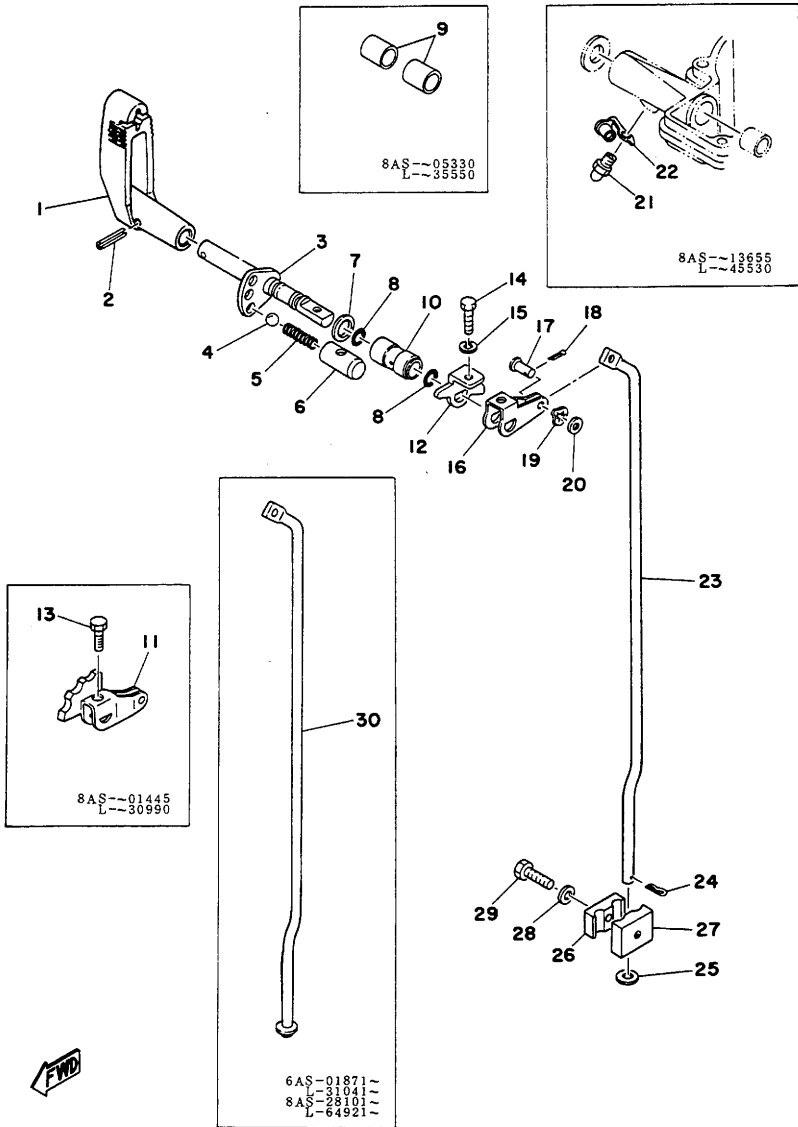
Fig.10 HANDLE



HANDLE

Ref. No.	Parts No.	Description	Q'ty		Applicable Machine No.	Remarks
			6A	8A		
10-25	647-42138-00	LEVER, throttle	1	1	6AS~ 00600 L~ 30300 8AS~ 20160 L~ 54715	
	655-42138-00-94	LEVER, throttle	1	1		6AS-00601~ L-30301~ 8AS-20161~ L-54716~
10-26	91690-30012	PIN, spring	1	1	6AS~ 00600 L~ 30300 8AS~ 20160 L~ 54715	
	91690-30022	PIN, spring	1	1		6AS-00601~ L-30301~ 8AS-20161~ L-54716~
10-27	90501-23215	SPRING	1	1	6AS~ 00600 L~ 30300 8AS~ 20160 L~ 54715	
10-28	92990-10200	WASHER, plain	1	1		
10-29	90269-02001	RIVET	1	1		
10-30	647-42137-02	INDICATOR, throttle	1	1		
10-31	647-42119-02	GRIP, steering handle	1	1		
10-32	98180-05025	SCREW, ovalhead	1	1		
10-33	647-42177-00	RUBBER, handle 1	1	1		
10-34	655-26301-01	WIRE THROTTLE ASS'Y	2	2		
10-35	90170-06013	. NUT, adjusting (647-26322-00)	4	4		
10-36	647-26315-00	. GUIDE, wire	2	2		
10-37	90170-06011	. NUT (647-26319-00)	2	2		
10-38	90179-06045	. NUT, adjusting (647-26323-00)	2	2		
10-39	655-14497-01	STAY, throttle wire	1	1		
10-40	90480-01048	GROMMET (647-26326-00)	1	1	8AS-01276~ L-30996~	

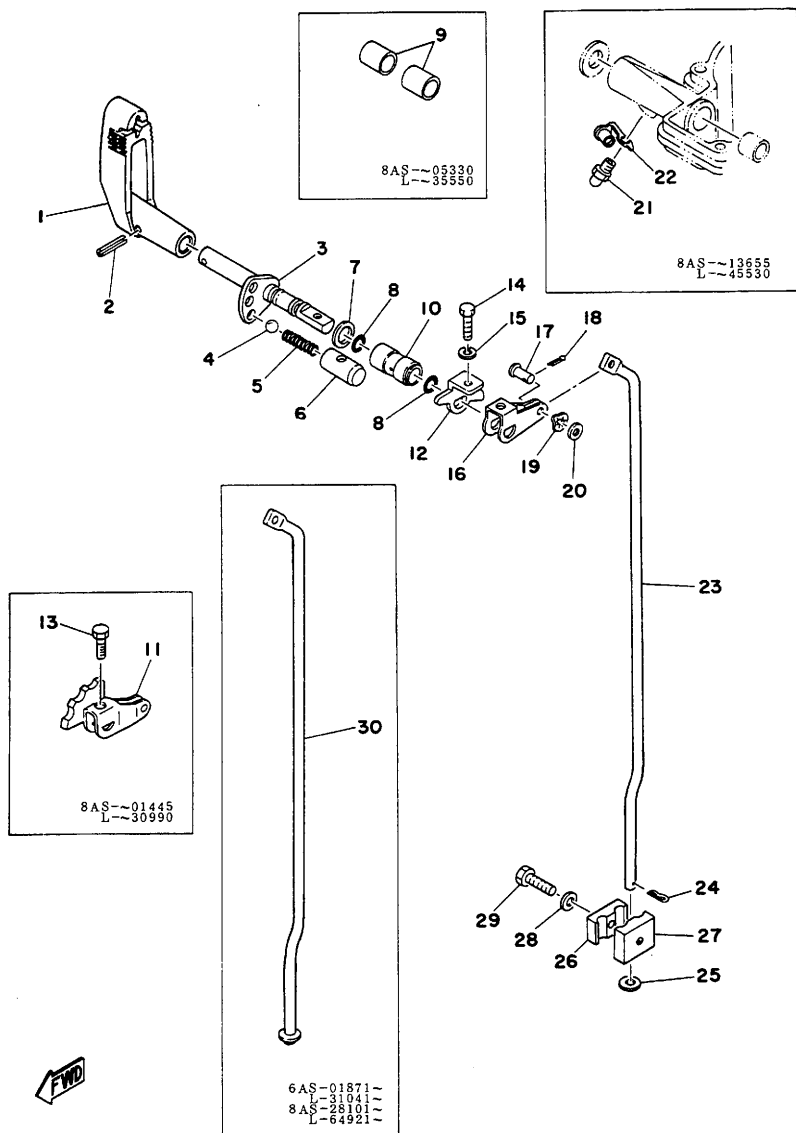
Fig. 11 GEAR SHIFT



GEAR SHIFT

Ref. No.	Parts No.	Description	Q'ty		Applicable Machine No.	Remarks
			6A	8A		
11- 1	655-44111-80-F6	HANDLE, gear shift	1	1		Metallic Ocean Blue
11- 2	91690-40020	PIN, spring	1	1	{ 8AS-~01275 L-~30995	
	91690-40016	PIN, spring	1	1	{ 8AS-01276~ L-30996~	
11- 3	647-44119-00	SHAFT, change	1	1	{ 8AS-~01445 L-~30990	
	655-44119-00	SHAFT, change	1	1	{ 6AS-~00600 L-~30300 8AS-01446~20160 L-30991~54715	
	655-44119-01	SHAFT, change	1	1	{ 6AS-00601~ L-30301~ 8AS-20161~ L-54716~	
11- 4	93505-16024	BALL (5/16 inch)	1	1		
11- 5	90501-12085	SPRING (611-44116-00)	1	1	{ 8AS-~06255 L-~37490	
	90501-12274	SPRING (655-44116-00)	1	1	{ 8AS-06256~ L-37491~	
11- 6	655-42715-00	BUSHING 2	1	1		
11- 7	90202-10044	WASHER, plate (10.3-18-1.0) ...	1	1	{ 6AS-~00600 L-~30300 8AS-~20160 L-~54715	
	90202-12097	WASHER, plate	1	1	{ 6AS-00601~ L-30301~ 8AS-20161~ L-45716~	
11- 8	93210-07003	O-RING (1.9-6.8)	2	2	{ 6AS-~00600 L-~30300 8AS-~20160 L-~54715	
○	93210-09165	O-RING (1.9-8.8)	2	2	{ 6AS-00601~ L-30301~ 8AS-20161~ L-54716~	
11- 9	90383-10001	BUSHING (647-44122-00)	2	2	{ 8AS-~05130 L-~35550	
11-10	655-44122-01	BUSHING, shift rod lever	1	1	{ 6AS-~00600 L-~30300 8AS-05131~20160 L-35551~54715	
	655-44122-02	BUSHING, shift rod lever	1	1	{ 8AS-20161~20660 L-54716~55465	
	655-44122-03	BUSHING, shift rod lever	1	1	{ 6AS-00601~ L-30301~ 8AS-20661~ L-55466~	
11-11	647-44113-00	CAM, plate handle	1	1	{ 8AS-~01445 L-~30990	
11-12	655-44113-00	CAM, plate handle	1	1	{ 8AS-01446~ L-30991~	
11-13	97370-05018	BOLT, hexagon	1	1	{ 8AS-~01445 L-~30990	
11-14	97370-05020	BOLT, hexagon	1	1	{ 8AS-01446~ L-30991~	
11-15	92990-05100	WASHER, spring	1	1		
11-16	655-44121-00	LEVER, shift rod 1	1	1		
11-17	90240-05038	JOINT	1	1		
11-18	91490-16010	PIN, cotter	1	1		
11-19	90206-05005	WASHER, wave	1	1		
11-20	92990-05200	WASHER, plain	1	1		

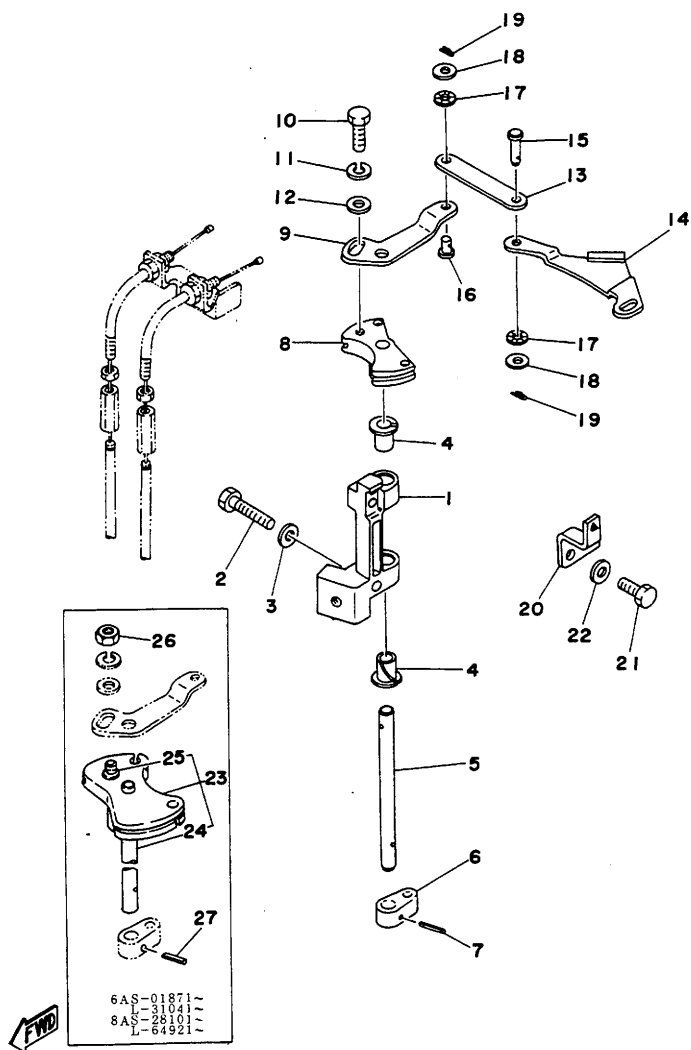
Fig. 11 GEAR SHIFT



GEAR SHIFT

Ref. No.	Parts No.	Description	Q'ty		Applicable Machine No.	Remarks
			6A	8A		
11-21	93700-06004	NIPPLE, grease	1		} 8AS. ~ 13655 L. ~ 45530	
11-22	626-45119-00	CAP, grease nipple	1			
11-23	647-44143-00	ROD, shift	1	1	} 6AS. ~ 01870 L. ~ 31045 8AS. ~ 26575 L. ~ 62615	
11-24	90468-10003	PIN, hair 1 (647-41235-00)	1	1		
11-25	92990-06600	WASHER, plate	1	1		
11-26	616-44145-01	CONNECTOR, shift rod 1	1	1		
11-27	616-44146-01	CONNECTOR, shift rod 2	1	1		
11-28	92990-06600	WASHER, plate	1	1		
11-29	97370-06020	BOLT, hexagon	1	1		
11-30	655-44143-00	ROD, shift 1	1	1	} 6AS. 01871~ L. 31046~ 8AS. 28101~ L. 64921~	

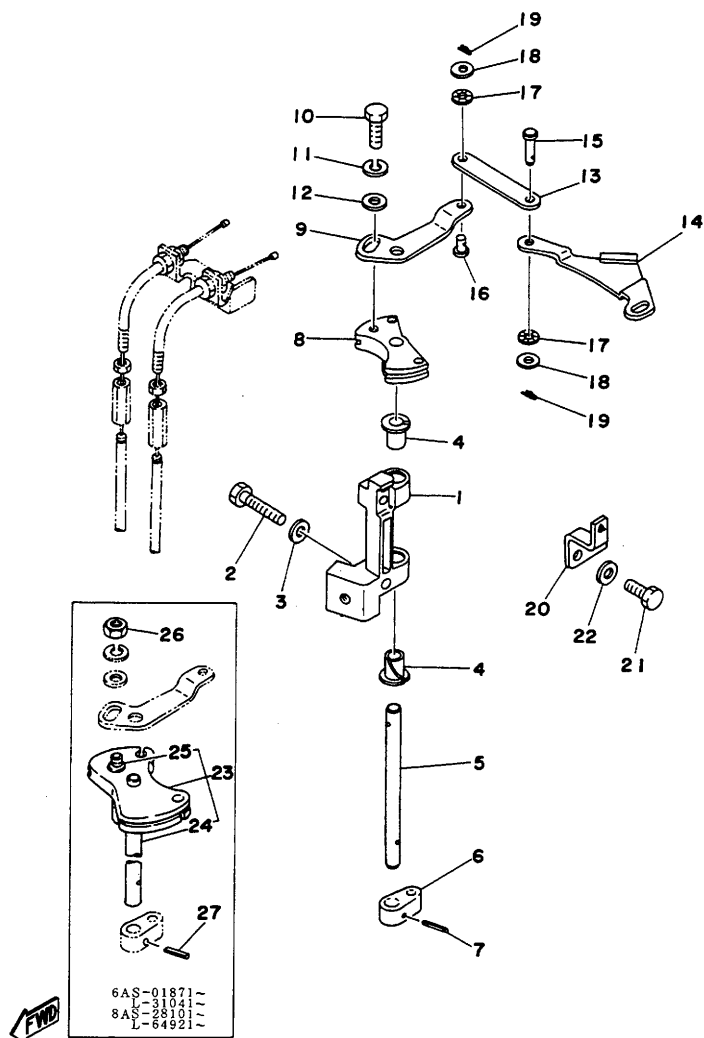
Fig. 12 THROTTLE CONTROL



THROTTLE CONTROL

Ref. No.	Parts No.	Description	Q'ty		Applicable Machine No.	Remarks
			6A	8A		
12- 1	655-41661-00-F6	BRACKET 1	1	1	{ 6AS ~ 01870 L ~ 31040 8AS ~ 26575 L ~ 62615	◇ Metallic Ocean Blue
	* 655-41661-01-F6	BRACKET 1	1	1	{ 6AS-01871 ~ L-31051 ~ 8AS-28101 ~ L-64921 ~	Metallic Ocean Blue
12- 2	97323-06030	BOLT, hexagon	2	2		
12- 3	92903-06600	WASHER, plate	2	2		
12- 4	90386-08032	BUSHING	2	2		
12- 5	647-41635-00	SHAFT, link connecting	1	1	{ 8AS ~ 01445 L ~ 30990	
	647-41635-01	SHAFT, link connecting	1	1	{ 6AS ~ 01870 L ~ 31040 8AS-01446 ~ 26575 L-30991 ~ 62615	
12- 6	647-48541-00-F6	STAY	1	1	{ 8AS ~ 01445 L ~ 30990	Metallic Ocean Blue
	647-48541-01-F6	STAY	1	1	{ 8AS-01446 ~ 06255 L-30991 ~ 37490	Metallic Ocean Blue
	655-48541-00-F6	STAY	1	1	{ 8AS-06256 ~ L-37491 ~	Metallic Ocean Blue
12- 7	91690-30016	PIN, spring	2	2	{ 6AS ~ 01870 L ~ 31040 8AS ~ 26575 L ~ 62615	
12- 8	647-41638-00-94	PULLEY	1	1	{ 8AS ~ 01445 L ~ 30990	
	655-41638-00-94	PULLEY	1	1	{ 6AS ~ 01870 L ~ 31040 8AS-01446 ~ 26575 L-30991 ~ 62615	
12- 9	647-41631-00	LEVER, magneto control 1	1	1	{ S ~ 01445 L ~ 30990	
	655-41631-00	LEVER, magneto control 1	1	1	{ 8AS-01446 ~ L-30991 ~	
12-10	97323-06015	BOLT, hexagon	1	1	{ 6AS ~ 01870 L ~ 31040 8AS ~ 26575 L ~ 62615	
12-11	92903-06100	WASHER, spring	1	1		
12-12	92903-06600	WASHER, plate	1	1		
12-13	647-41632-00	LEVER, magneto control 2	1	1		
12-14	647-41213-01	CAM, accel	1	1		
12-15	647-41651-00	SET PIN, magneto control 1	1	1		
12-16	647-41652-00	SET PIN, magneto control 2	1	1		
12-17	90206-05005	WASHER, wave	2	2		
12-18	92990-05200	WASHER, plain	2	2		
12-19	90468-10005	PIN, hair 1 (626-41235-00)	2	2		
12-20	647-41615-00	STOPPER, magneto base 1	1	1		
12-21	97323-06015	BOLT, hexagon	1	1		
12-22	92903-06600	WASHER, plate	1	1		

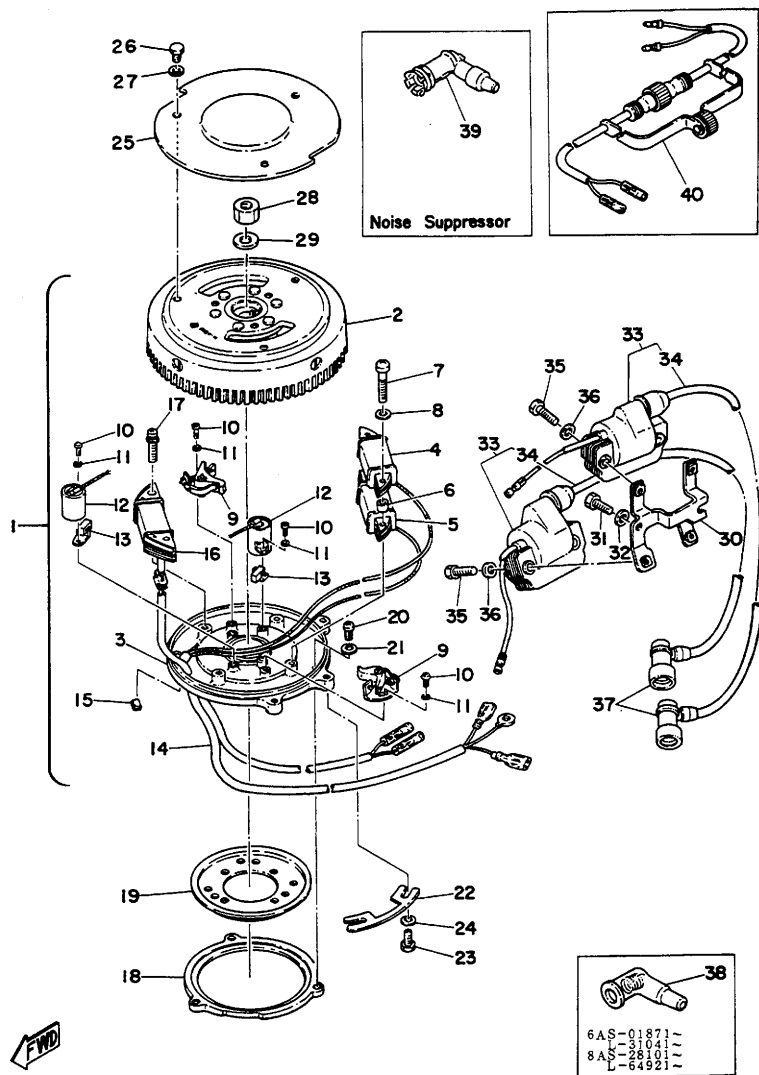
Fig. 12 THROTTLE CONTROL



THROTTLE CONTROL

Ref. No.	Parts No.	Description	Q'ty		Applicable Machine No.	Remarks
			6A	8A		
12-23	* 655-41638-01-94	PULLEY	1	1	6AS-01871~ L-31041~ 8AS-28101~ L-64921~	
12-24	* 655-41635-00	. SHAFT, link connecting	1	1		
12-25	* 650-41641-00	. BOSS, lever	1	1		
12-26	* 95303-06600	NUT, hexagon	1	1		
12-27	91690-30016	PIN, spring	1	1		

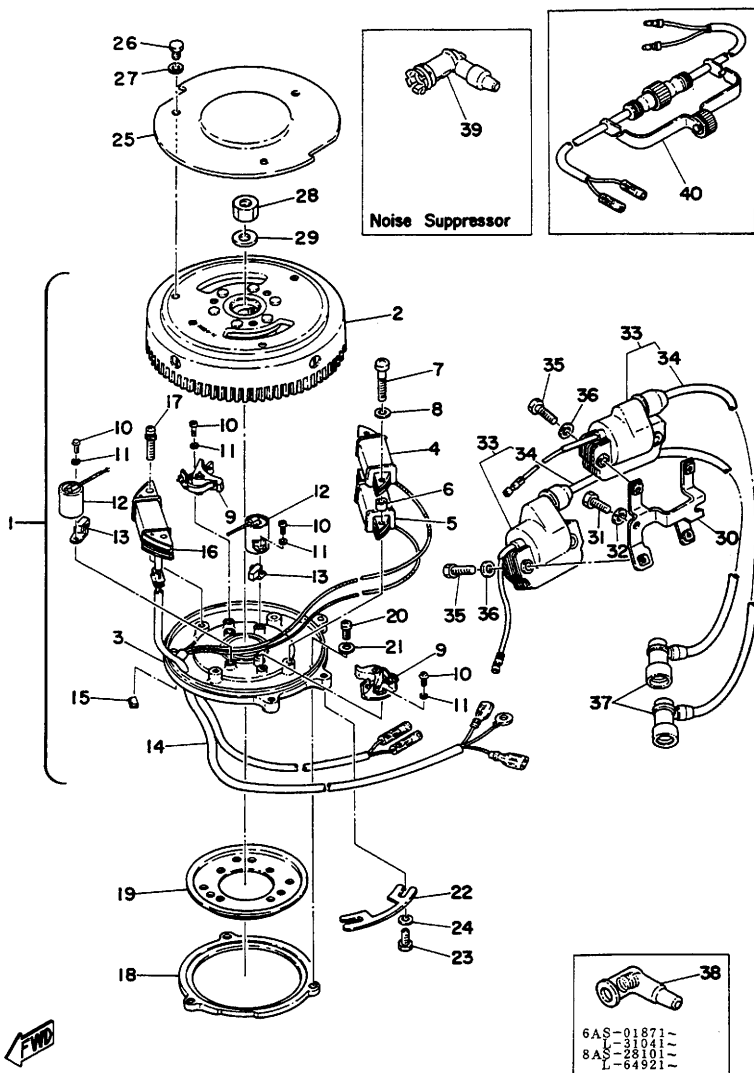
Fig. 13 FLYWHEEL MAGNETO



FLYWHEEL MAGNETO

Ref. No.	Parts No.	Description	Q'ty		Applicable Machine No.	Remarks
			6A	8A		
13- 1	647-81300-60	FLYWHEEL MAGNETO ASS'Y ...	1	1		40W
	655-81300-A0	FLYWHEEL MAGNETO ASS'Y ...	1	1		80W
13- 2	647-81350-10	. ROTOR ASS'Y	1	1		40W
	655-81350-A0	. ROTOR ASS'Y	1	1		80W
13- 3	647-81309-11	. BASE, magneto	1	1		40W
	655-81309-11	. BASE, magneto	1	1		80W
13- 4	647-81311-10	. COIL, ignition 1	1	1		40W
	655-81311-A0	. COIL, ignition 1	1	1		80W
13- 5	647-81312-10	. COIL, ignition 2	1	1		40W
	655-81312-A0	. COIL, ignition 2	1	1		80W
13- 6	647-81318-10	. TUBE	2	2		
13- 7	647-81323-10	. SCREW 1	2	2		
13- 8	92901-05100	. WASHER, spring	2	2		
13- 9	650-81321-10	. CONTACT BREAKER ASS'Y ...	2	2		
13-10	164-81246-21	. SCREW, panhead (4-8)	4	4		
13-11	92901-04100	. WASHER, spring	4	4		
13-12	647-81325-11	. CONDENSER	2	2		
13-13	207-81331-10	. LUBRICATOR	2	2		
13-14	647-81315-11	. LEAD WIRE ASS'Y	1	1		
13-15	647-81336-10	. GROMMET	1	1		
13-16	647-81313-41	. COIL, lighting	1	1		40W
	655-81313-A0	. COIL, lighting	1	1		80W
13-17	647-81324-10	. SCREW 2	2	2		
13-18	647-41611-00-94	RETAINER, magneto base 1	1	1		{ 6AS ~ 00600 8AS ~ 20160 L ~ 54715
	655-41611-00-94	RETAINER, magneto base 1	1	1		{ 6AS-00601 ~ L-30101 ~ 8AS-20161 ~ L-54716 ~
13-19	655-41612-00	RETAINER, magneto base 2	1	1		{ 6AS-00601 ~ L-30101 ~ 8AS-20161 ~ L-54716 ~
	98303-05012	SCREW, cylinderhead	3	3		{ 6AS ~ 00600 8AS ~ 20160 L ~ 54715
13-20	98503-05010	SCREW, panhead	3	3		{ 6AS-00601 ~ L-30101 ~ 8AS-20161 ~ L-54716 ~
	92903-05100	WASHER, spring	3	3		

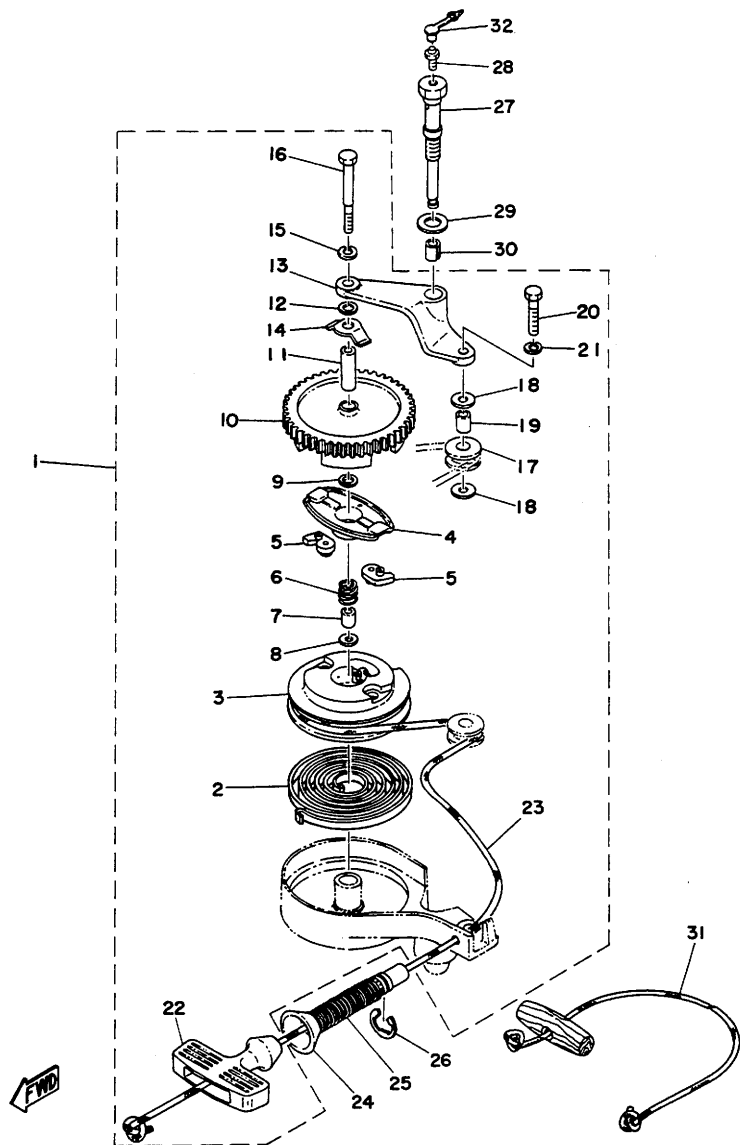
Fig. 13 FLYWHEEL MAGNETO



FLYWHEEL MAGNETO

Ref. No.	Parts No.	Description	Q'ty		Applicable Machine No.	Remarks
			6A	8A		
13-22	647-41616-00	STOPPER, magneto base 2	1	1		
13-23	97323-06015	BOLT, hexagon	2	2		
13-24	92903-06600	WASHER, plate	2	2		
13-25	647-81362-00	COVER, hole 1	1	1		
13-26	97323-06010	BOLT, hexagon	3	3		
13-27	92903-06600	WASHER, plate	3	3		
13-28	90170-10048	NUT, crank shaft (647-11555-00)	1	1		
13-29	90201-10126	WASHER (647-11557-00)	1	1		
13-30	647-82316-00	BRACKET, ignition coil	1	1	{ 8AS-01445 L-30990	
	655-82316-01	BRACKET, ignition coil	1	1	{ 8AS-01446~ L-30991~	
13-31	97323-06018	BOLT, hexagon	2	2	{ 8AS-01445 L-30990	
	97323-06018	BOLT, hexagon	1	1	{ 8AS-01446~ L-30991~	
13-32	92903-06600	WASHER, plate	2	2	{ 8AS-01445 L-30990	
	92903-06600	WASHER, plate	1	1	{ 8AS-01446~ L-30991~	
13-33	650-82310-12	IGNITION COIL ASS'Y	2	2	{ 6AS-01870 L-31040 8AS-28100 L-64920	
	* 655-82310-11	IGNITION COIL ASS'Y	2	2	{ 6AS-01871~ L-31041~ 8AS-28101~ L-64921~	
13-34	650-82340-10	. CORD, hightension	2	2		
13-35	97323-06025	BOLT, hexagon	4	4		
13-36	92903-06600	WASHER, plate	4	4		
13-37	624-82370-00	PLUG CAP ASS'Y	2	2	{ 6AS-01870 L-31040 8AS-26375 L-62515	
13-38	* 663-82370-01	PLUG CAP ASS'Y	2	2	{ 6AS-01871~ L-31041~ 8AS-28101~ L-64921~	
13-39	650-82370-00	PLUG CAP ASS'Y	2	2	{ 8AS-13556~ L-45531~	Noise Suppressor
13-40	616-83180-30	CONCENT 2P ASS'Y	1	1		

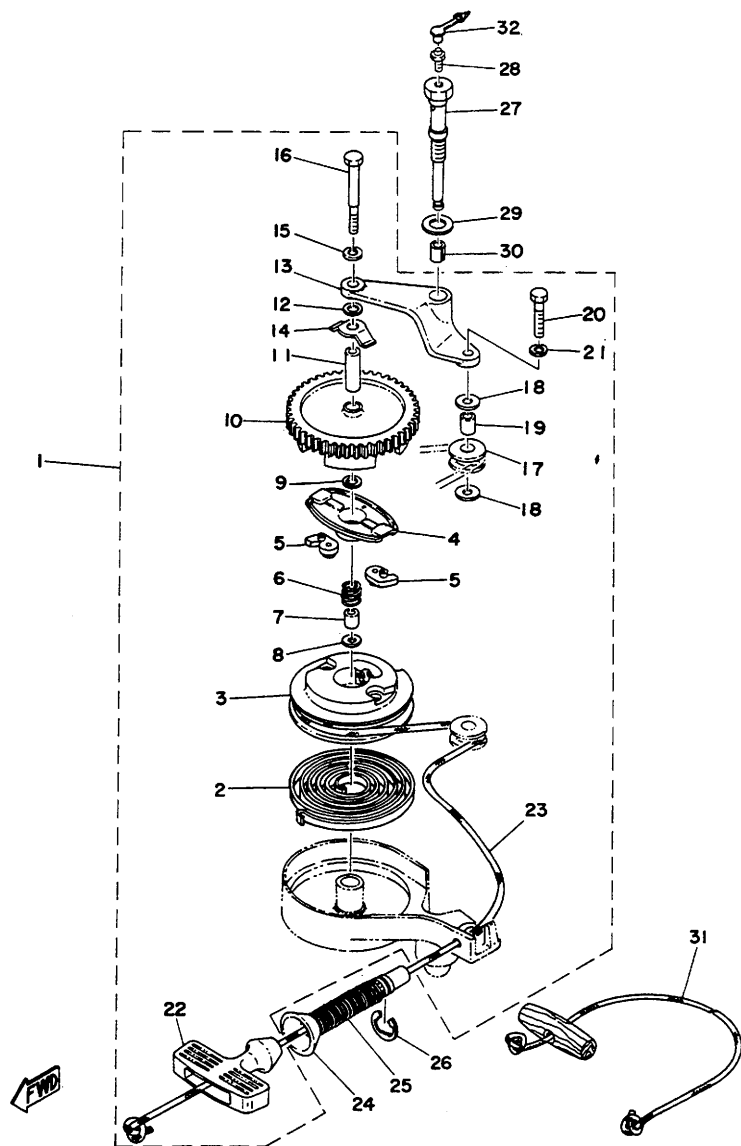
Fig. 14 STARTER



STARTER

Ref. No.	Parts No.	Description	Q'ty		Applicable Machine No.	Remarks
			6A	8A		
14- 1	647-15710-01	STARTER ASS'Y	1	1		
14- 2	647-15713-00	. SPRING, starter	1	1		
14- 3	647-15714-01	. DRUM, sheave	1	1		
14- 4	647-15716-00	. DRIVE, plate	1	1		
14- 5	647-15741-00	. PAWL, drive	2	2		
14- 6	647-15715-00	. SPRING, drive plate	1	1		
14- 7	647-15765-00	. COLLAR 2	1	1		
14- 8	92901-05200	. WASHER, plain	1	1		
14- 9	647-15726-00	. WASHER, flat 1	1	1		
14-10	647-15723-01	. PULLEY, starter	1	1		
14-11	647-15718-00	. COLLAR, distance	1	1		
14-12	647-15739-00	. WASHER, thrust 2 (7.2-12-1.2)	1	1		
14-13	647-15712-00	. COVER, starter case	1	1		
14-14	647-15732-00	. WASHER, wave	1	1		
14-15	92901-08100	. WASHER, spring	1	1		
14-16	647-15717-00	. SHAFT	1	1		
14-17	647-15752-00	. ROLLER, wire	1	1		
14-18	92901-06200	. WASHER, plain	2	2		
14-19	647-15764-00	. COLLAR 1	1	1		
14-20	97323-06035	. BOLT, hexagon	1	1		
14-21	92901-06100	. WASHER, spring	1	1		
14-22	619-15755-01	. HANDLE, starter	1	1		
14-23	615-15751-00	. WIRE, starter	1	1		
14-24	647-15758-00	GUIDE, wire	1	1		
14-25	90501-08045	SPRING (647-15767-00)	1	1		
14-26	93430-12008	CIRCLIP (E-12)	1	1		
14-27	647-15768-00	BOLT	1	1		
14-28	93700-06004	NIPPLE, grease	1	1		

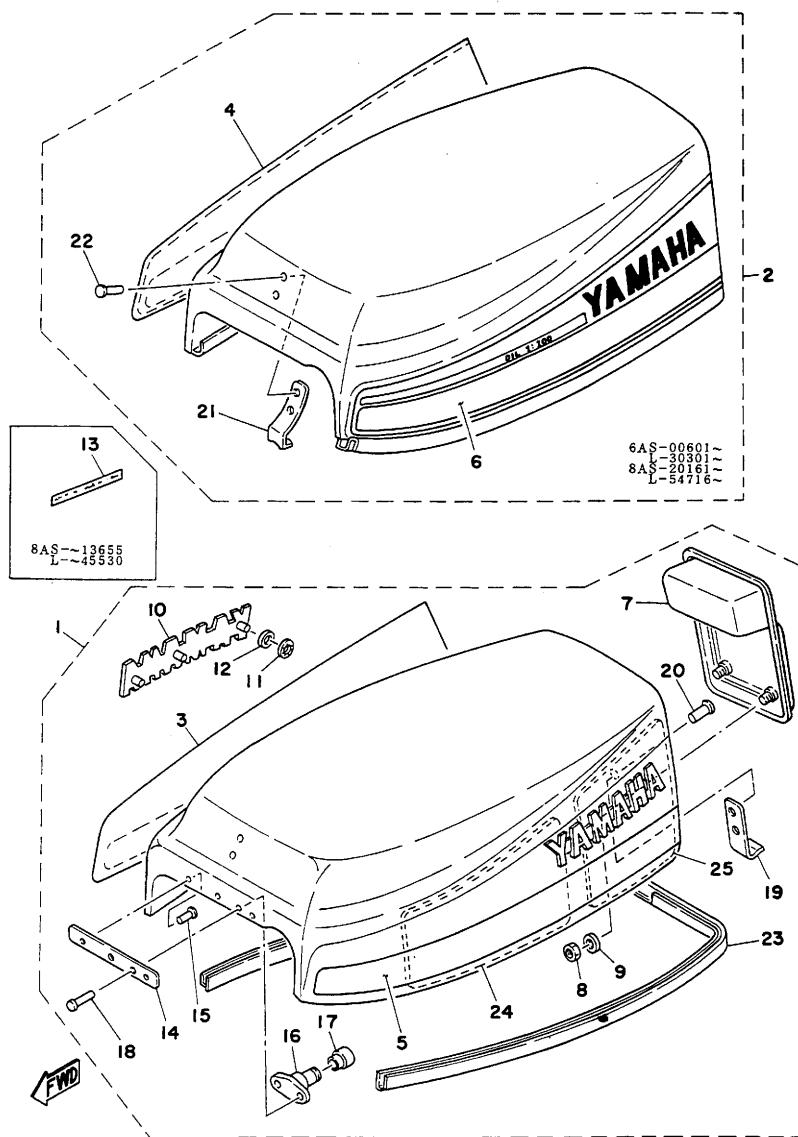
Fig. 14 STARTER



STARTER

Ref. No.	Parts No.	Description	Q'ty		Applicable Machine No.	Remarks
			6A	8A		
14-29	647-15719-01-10	WASHER, thrust (10.2-20-1.0)	}	U.R	U.R	
	647-15719-01-20	WASHER, thrust (10.2-20-2.0)				
14-30	90386-07005	BUSHING 1 (647-15753-00)	1	1		
14-31	647-15780-01	EMERGENCY STARTER ASS'Y ..	1	1		
14-32	626-45119-00	CAP, grease nipple	1	1		

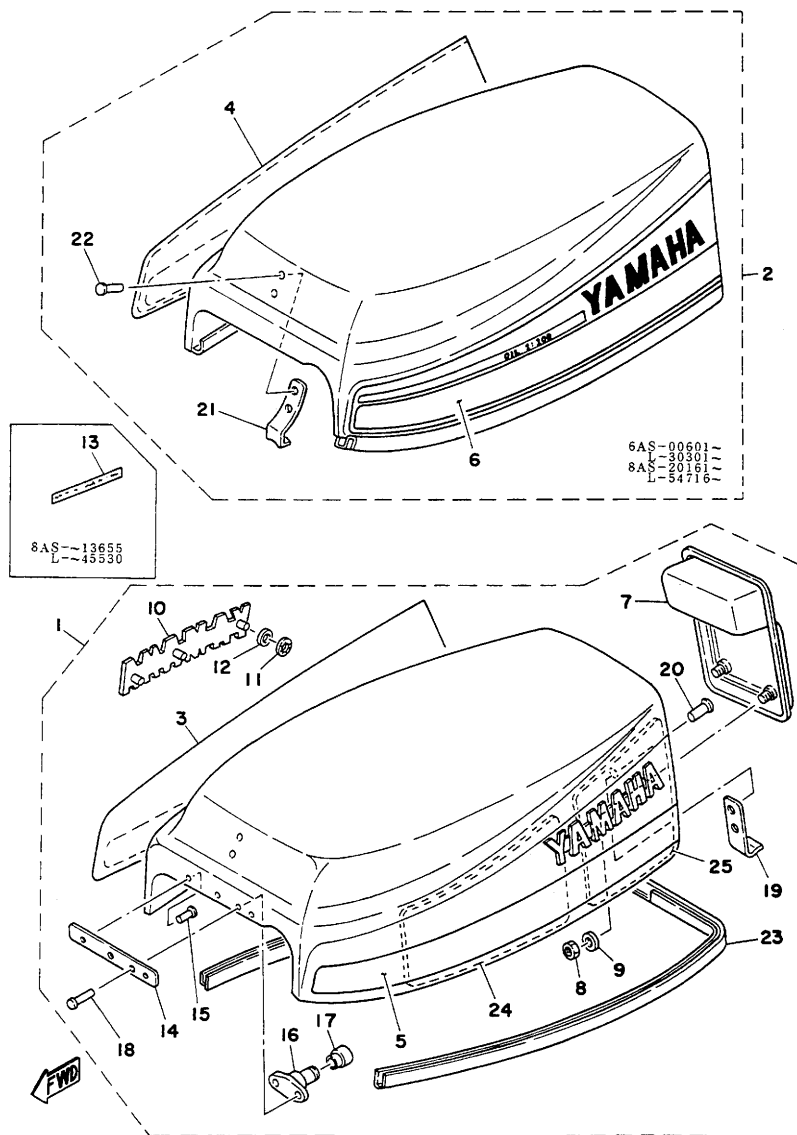
Fig. 15 TOP COWLING



TOP COWLING

Ref. No.	Parts No.	Description	Q'ty		Applicable Machine No.	Remarks
			6A	8A		
15- 1	671-42610-00-F6	TOP COWLING ASS'Y	1		{ 6AS ~ 00600 L ~ 30300	Metallic Ocean Blue
	647-42610-82-F6	TOP COWLING ASS'Y	1		{ 8AS ~ 13655 L ~ 45530	Metallic Ocean Blue
	655-42610-80-F6	TOP COWLING ASS'Y	1		{ 8AS-13656 ~ 20160 L-45531 ~ 54715	Metallic Ocean Blue
15- 2	671-42610-01-F6	TOP COWLING ASS'Y	1		{ 6AS-00601 ~ 01870 L-30301 ~ 31040	Metallic Ocean Blue
	* 671-42610-02-F6	TOP COWLING ASS'Y	1		{ 6AS-01871 ~ L-31041 ~	Metallic Ocean Blue
	655-42610-81-F6	TOP COWLING ASS'Y	1		{ 8AS-20161 ~ 26575 L-54716 ~ 62615	Metallic Ocean Blue
	* 655-42610-82-F6	TOP COWLING ASS'Y	1		{ 8AS-28101 ~ L-64921 ~	Metallic Ocean Blue
15- 3	647-42675-01	. GRAPHIC, side 1	1		{ 8AS ~ 13655 L ~ 45530	
	655-42675-00	. GRAPHIC, side 1	1	1	{ 6AS ~ 00600 L ~ 30300 8AS-13656 ~ 20160 L-45531 ~ 54715	
15- 4	655-42675-01	. GRAPHIC, side 1	1	1	{ 6AS-00601 ~ 01870 L-30301 ~ 31040 8AS-20161 ~ 26575 L-54716 ~ 62615	
	* 655-42675-80	. GRAPHIC, side 1	1	1	{ 6AS-01871 ~ L-31041 ~ 8AS-28101 ~ L-64921 ~	
15- 5	647-42676-01	. GRAPHIC, side 2	1		{ 8AS ~ 13655 L ~ 45530	
	655-42676-00	. GRAPHIC, side 2	1	1	{ 6AS ~ 00600 L ~ 30300 8AS-13656 ~ 20160 L-45531 ~ 54715	
15- 6	655-42676-01	. GRAPHIC, side 2	1	1	{ 6AS-00601 ~ 01870 L-30301 ~ 31040 8AS-20161 ~ 26575 L-54716 ~ 62615	
	* 655-42676-80	. GRAPHIC, side 2	1	1	{ 6AS-01871 ~ L-31041 ~ 8AS-28101 ~ L-64921 ~	
15- 7	671-42687-00	. EMBLEM, rear	1			
	647-42687-60	. EMBLEM, rear	1			
15- 8	95303-05600	. NUT, hexagon	4	4		
15- 9	92903-05200	. WASHER, plain	4	4		
15-10	650-42681-00	. MARK, cowling 1	2	2		
15-11	90183-05003	. NUT, speed (650-42691-00)	6	6	{ 6AS ~ 00600 L ~ 30300 8AS ~ 20160 L ~ 54715	
15-12	650-42693-00	. DAMPER, emblem	6	6		
15-13	648-44191-02	. INDICATOR, shift	1		{ 8AS ~ 13655 L ~ 45530	
15-14	647-42644-00	. PLATE, clamp 2	1			
15-15	90267-40004	. RIVET (802-77155-00)	2			
15-16	647-42647-00-94	. HOLDER, clamp band	1		{ 8AS ~ 20160 L ~ 54715	
15-17	626-42658-00	. BUSHING	1			
15-18	90266-04004	. RIVET	2			
15-19	655-42651-02	. HOOK 1	1	1		

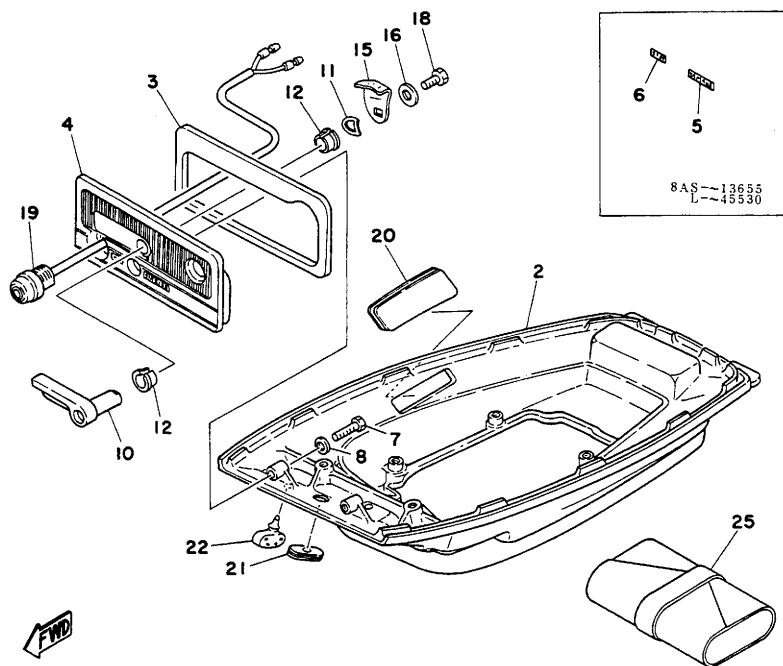
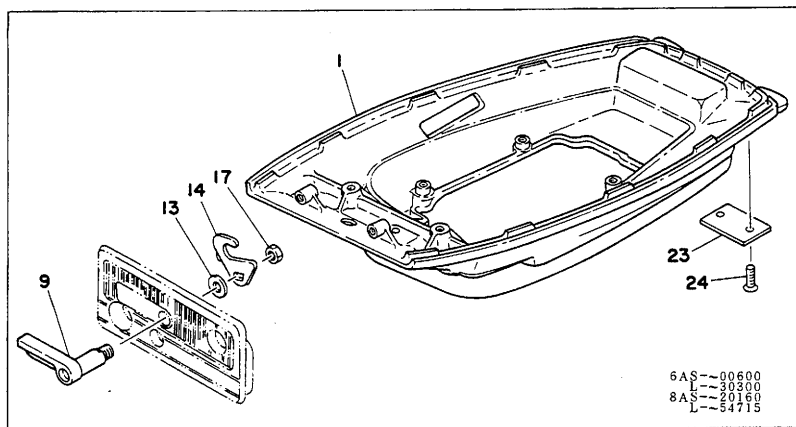
Fig. 15 TOP COWLING



TOP COWLING

Ref. No.	Parts No.	Description	Q'ty		Applicable Machine No.	Remarks
			6A	8A		
15-20	90266-04007	. RIVET	2	2		
15-21	655-42652-00	. HOOK 2	1	1	} 8AS-20161~ L-34716~	
15-22	90266-04007	. RIVET	2	2		
15-23	647-42716-00	. RUBBER, seal 1	2	2	} 8AS~94035 L~33090	
	655-42716-03	. RUBBER, seal 1	1	1		} 8AS-04036~ L-33091~
15-24	655-42662-00	. DAMPER 1	2	2	} 8AS~13655 L~45530	
	655-42662-01	. DAMPER 1	2	2		} 8AS-13656~ L-45531~
15-25	655-42663-00	. DAMPER 2	2	2	} 8AS~13655 L~45530	
	655-42663-01	. DAMPER 2	2	2		} 8AS-13656~ L-45531~

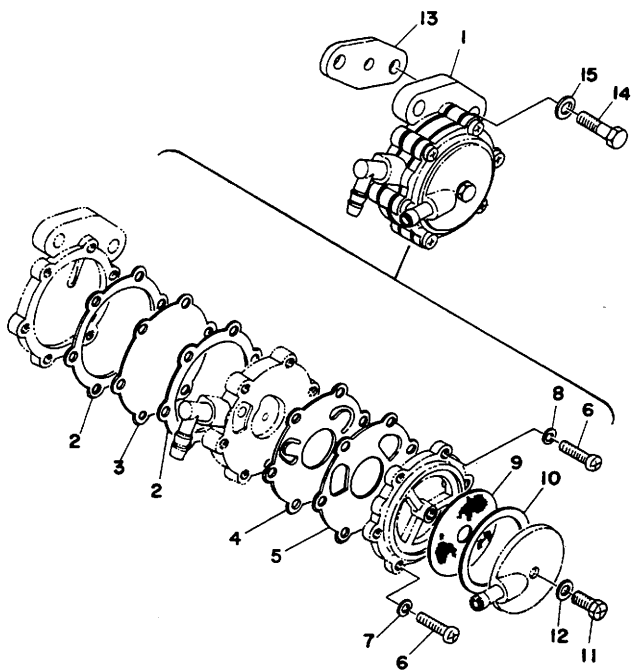
Fig. 16 BOTTOM COWLING



BOTTOM COWLING

Ref. No.	Parts No.	Description	Q'ty		Applicable Machine No.	Remarks
			6A	8A		
16-1	655-42711-01-F6	COWLING, bottom	1	1	{ 8AS~06255 L~37490	Metallic Ocean Blue
	655-42711-02-F6	COWLING, bottom	1	1	{ 6AS~00600 L~30300 8AS~06256~20160 L-37491~54715	Metallic Ocean Blue
16-2	655-42711-03-F6	COWLING, bottom	1	1	{ 6AS~00601 L-30301~ 8AS~20161~ L-54716~	Metallic Ocean Blue
16-3	647-42717-01	RUBBER, seal 2	1	1	{ 8AS~13655 L~45530	
	647-42717-02	RUBBER, seal 2	1	1	{ 8AS~13656~ L-45531~	
16-4	647-42614-03-33	PANEL, front upper	1	1		Yamaha Black
16-5	647-24155-00	INDICATOR, choke	1	1	{ 8AS~13655 L~45530	
16-6	647-82562-00	INDICATOR, stop switch	1	1		
16-7	97323-06025	BOLT, hexagon	2	2		
16-8	92903-06600	WASHER, plate	2	2		
16-9	647-42815-01-33	LEVER, clamp 1	1	1	{ 6AS~00600 L~30300 8AS~20160 L-54715	Yamaha Black
16-10	655-42815-00-33	LEVER, clamp 1	1	1	{ 6AS~00601~ L-30301~ 8AS~20161~ L-54716~	Yamaha Black
16-11	90206-13019	WASHER, wave (626-42832-00)	1	1		
16-12	90386-13057	BUSHING, lever	2	2		
16-13	90201-13201	WASHER, plain (647-42833-00)	1	1	{ 6AS~00600 L~30300 8AS~20160 L~54715	
16-14	647-42816-00	LEVER, clamp 2	1	1		
16-15	655-42816-00	LEVER, clamp 2	1	1	{ 6AS~00601~ L-30301~ 8AS~20161~ L-54716~	
16-16	90201-06068	WASHER, plain (620-24576-00)	1	1		
16-17	95303-06700	NUT, hexagon	1	1	{ 6AS~00600 L~30300 8AS~20160 L~54715	
16-18	97323-06012	BOLT, hexagon	1	1	{ 6AS~00601~ L-30301~ 8AS~20161~ L-54716~	
16-19	647-82550-01	STOP SWITCH ASS'Y	1	1		
16-20	647-42725-00	GROMMET 2	1	1		
16-21	647-42726-60	GROMMET 3	1	1	{ 8AS~13656~ L-45531~	
16-22	606-42591-00	HOLDER, shear pin	1	1		
16-23	655-42723-00	COVER, bottom	1	1	{ 6AS~00600 L~30300 8AS~20160 L~54715	
16-24	98180-05012	SCREW, flathead	2	2	{ 8AS~06255 L~37490	
	92180-06015	SCREW, ovalhead	2	2	{ 6AS~00600 L~30300 8AS~06256~20160 L-37491~54715	
16-25	646-28100-61	TOOL ASS'Y	1	1		

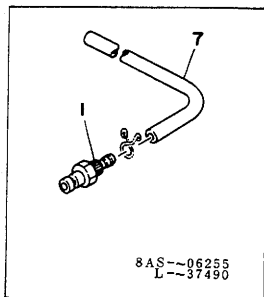
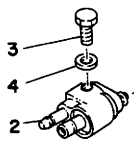
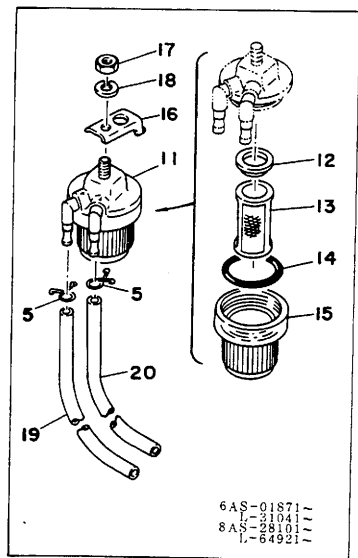
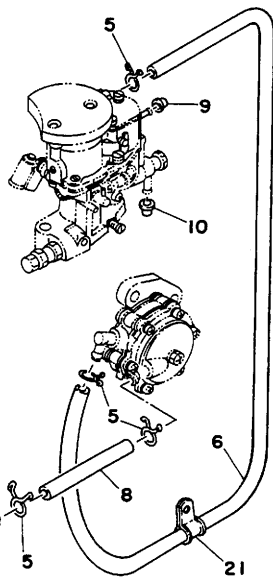
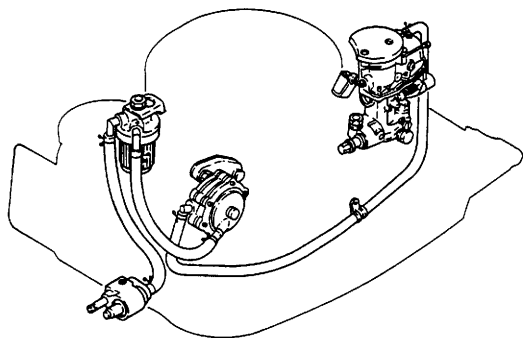
Fig. 17 FUEL PUMP



FUEL PUMP

Ref. No.	Parts No.	Description	Q'ty		Applicable Machine No.	Remarks	
			6A	8A			
17- 1	647-24410-01	FUEL PUMP ASS'Y	1	1	6AS ~ 00600 L ~ 30300 8AS ~ 23335 L ~ 59160 6AS-00601 ~ L-30301 ~ 8AS-23336 ~ L-59161 ~	◇	
	647-24410-02	FUEL PUMP ASS'Y	1	1			
17- 2	801-24434-00	. GASKET, body 1	2	2	6AS ~ 00600 L ~ 30300 8AS ~ 23335 L ~ 59160 6AS-00601 ~ L-30301 ~ 8AS-23336 ~ L-59161 ~	◇	
	647-24434-00	. GASKET, body 1	2	2			
17- 3	626-24411-00	. DIAPHRAGM	1	1	6AS ~ 00600 L ~ 30300 8AS ~ 23335 L ~ 59160 6AS-00601 ~ L-30301 ~ 8AS-23336 ~ L-59161 ~		
	801-24411-00	. DIAPHRAGM	1	1			
17- 4	626-24421-00	. VALVE, check	1	1	8AS ~ 13655 L ~ 45530		
	647-24421-00	. VALVE, check	1	1			
17- 5	801-24435-00	. GASKET, body 2	1	1	8AS ~ 13655 L ~ 45530		
	647-24435-00	. GASKET, body 2	1	1			
17- 6	98503-04018	. SCREW, panhead	6	6			
17- 7	92990-04100	. WASHER, spring	5	5			
17- 8	801-24438-00	. GASKET, body 5	1	1			
17- 9	801-24451-00	. NET, filter	1	1			
17-10	801-24436-00	. GASKET, body 3	1	1			
17-11	801-24444-00	. SCREW, pump cover	1	1			
17-12	801-24437-00	. GASKET, body 4	1	1			
☆ ★	17-13	801-24431-00	GASKET, fuel pump	1	1		
17-14	97323-06020	BOLT, hexagon	2	2			
17-15	92903-06600	WASHER, plate	2	2			

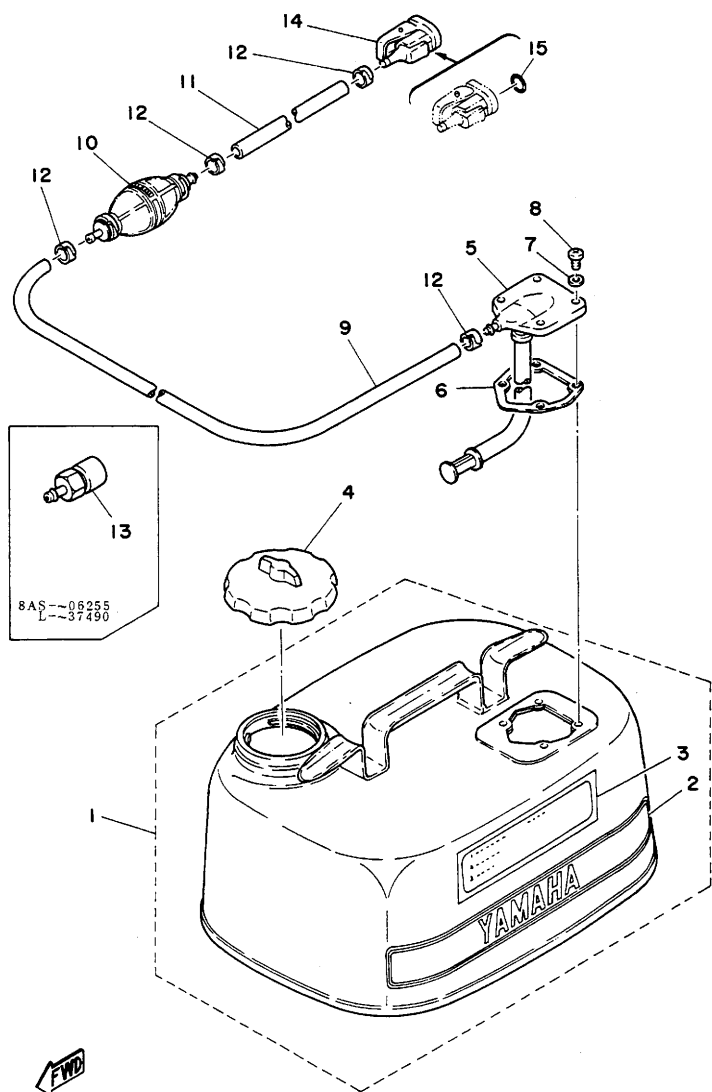
Fig. 18 PIPING



PIPING

Ref. No.	Parts No.	Description	Q'ty		Applicable Machine No.	Remarks
			6A	8A		
18- 1	644-24304-50	FUEL PIPE JOINT COMP. 1	1		{ 8AS-~ 06255 L-~ 37490	
18- 2	655-24304-01	FUEL PIPE JOINT COMP. 1	1	1		
18- 3	97323-06015	BOLT, hexagon	1	1	{ 8AS-06256~ L-37491~	
18- 4	92903-06600	WASHER, plate	1	1		
18- 5	90467-08002	CLIP, pipe (647-24356-00)	4		{ 8AS-~ 13655 L-~ 45531	
	90467-08004	CLIP, pipe (616-24356-00)	6	6		{ 8AS-13656~ L-45531~
18- 6	90445-09114	HOSE (647-24314-00 5-9-500)....	1	1		
18- 7	90445-09102	HOSE (615-24313-20 5-9-290)....	1		{ 8AS-~ 06255 L-~ 37490	
18- 8	90445-09063	HOSE (630-24313-00 5-9-80)....	1	1	{ 6AS-~ 01870 L-~ 31040 8AS-06256~ 26575 L-37491~ 62615	
18- 9	647-14395-60	CAP, over flow pipe	1	1		
18-10	648-14382-60	CAP, drain pipe	1	1		
18-11	* 655-24560-00	FILTER ASS'Y	1	1		
★ 18-12	* 655-24564-00	. PACKING, filter	1	1		
18-13	* 655-24563-00	. ELEMENT, filter	1	1		
★ 18-14	* 93210-35339	. O-RING (2.0-34.5)	1	1		
18-15	* 655-24521-00	. CUP, filter	1	1		
18-16	* 648-24566-01	BRACKET, filter	1	1	{ 6AS-01871~ L-31041 8AS-28101~ L-64921~	
18-17	* 95303-08600	NUT, filter	1	1		
18-18	92903-08100	WASHER, spring	1	1		
18-19	* 90445-09090	HOSE (630-24316-00 5-9-185)....	1	1		
18-20	* 90445-09087	HOSE (626-24313-00 5-9-170)....	1	1		
18-21	90461-04011	CLAMP, cord (620-82361-00)....	1	1		
18-22	626-28193-01-94	PLUG, water check 1	1	1		

Fig. 19 FUEL TANK



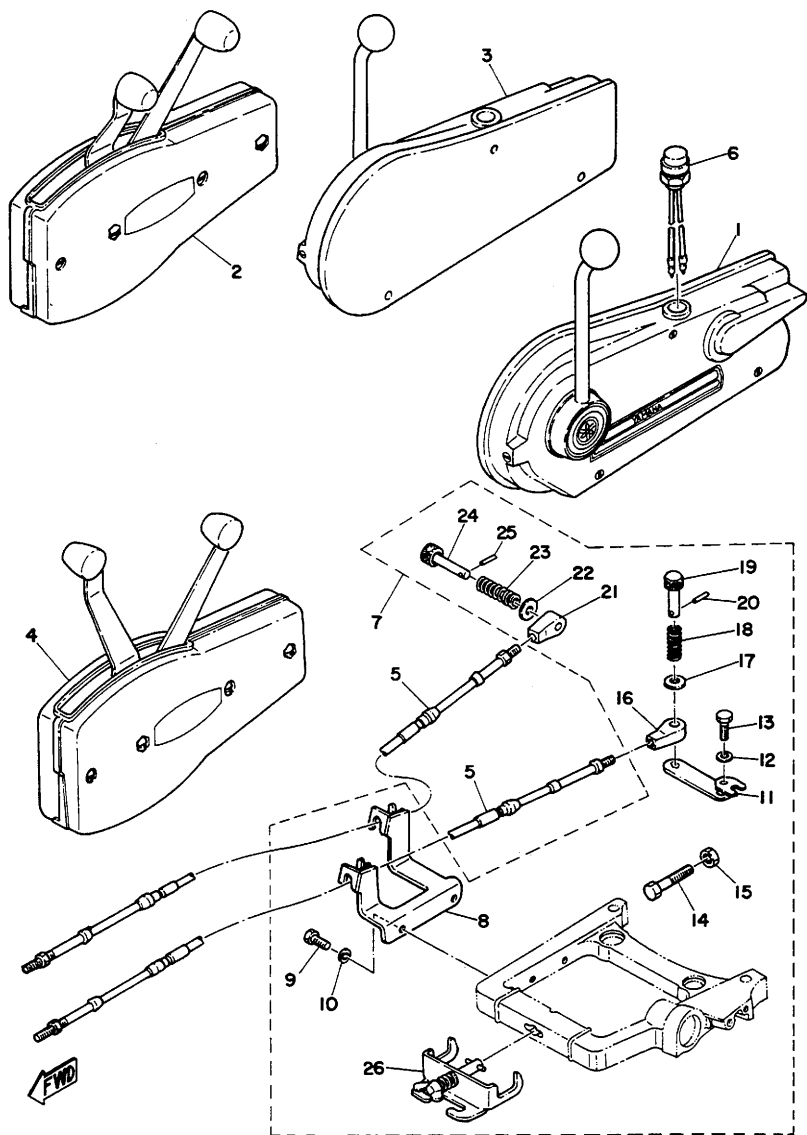
FUEL TANK

Ref. No.	Parts No.	Description	Q'ty		Applicable Machine No.	Remarks
			6A	8A		
19- 1	655-24201-80-24	FUEL TANK COMP.	1	1		Light Vermilion
19- 2	655-24244-80	. GRAPHIC, side	2	2		
19- 3	655-24245-80	. GRAPHIC	1	1		
19- 4	647-24610-02	CAP ASS'Y	1	1		
19- 5	655-24275-60	METER FUEL COMP.	1	1		
19- 6	663-24268-00	GASKET, housing fuel meter ...	1	1		
19- 7	630-24329-00	SEAL (5.5-10-1)	4	4		
19- 8	98580-05015	SCREW, panhead	4	4		
19- 9	90445-12156	HOSE (650-24311-00 6-11.5-1500)	1	1		
19-10	650-24360-01	PRIMARY PUMP ASS'Y	1	1		
19-11	90445-12155	HOSE (650-24313-00 6-11.5-1000)	1	1		
19-12	650-24351-00	BAND, fuel pipe 1	4	4		
19-13	644-24305-50	FUEL PIPE JOINT COMP. 2	1	1	{ 8AS-~06255 L~37490	
19-14	655-24305-00	FUEL PIPE JOINT COMP. 2	1	1	{ 8AS-06256~ L-37491~	
19-15	93210-08287	. O-RING (3.0-8.0)	1	1		

OPTIONAL PARTS



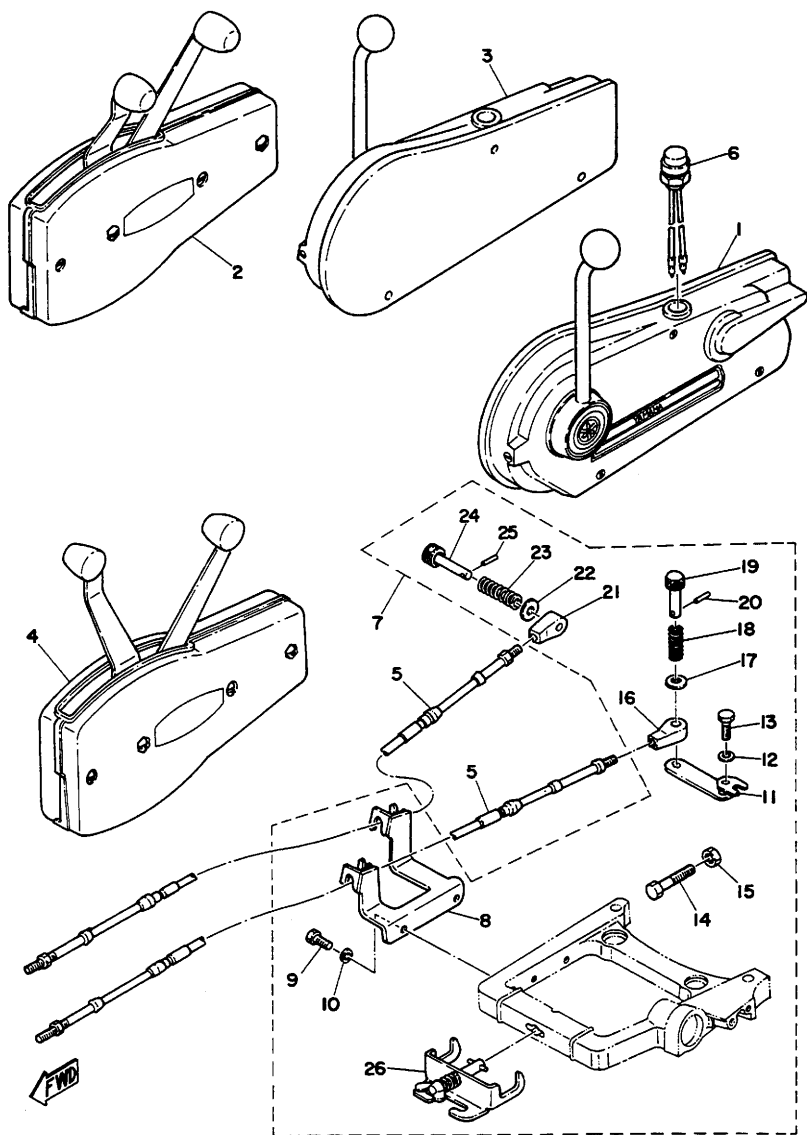
Fig. 20 REMOTE CONTROL



REMOTE CONTROL

Ref. No.	Parts No.	Description	Q'ty		Applicable Machine No.	Remarks
			6A	8A		
20- 1	701-48110-10	REMOTE CONTROL ASS'Y 1	1	1		Single
20- 2	701-48110-30	REMOTE CONTROL ASS'Y 3	1	1		Double
20- 3	701-48120-10	REMOTE CONTROL ASS'Y 1	1	1	} For Left Handle	
20- 4	701-48120-30	REMOTE CONTROL ASS'Y 3	1	1		
20- 5	701-48310-10	CABLE, remote control 6F	2	2		6 feet
	701-48310-20	CABLE, remote control 7F	2	2		7 feet
	701-48310-40	CABLE, remote control 8F	2	2		8 feet
	701-48310-60	CABLE, remote control 9F	2	2		9 feet
	701-48310-90	CABLE, remote control 11F	2	2		11 feet
	701-48320-00	CABLE, remote control 12F	2	2		12 feet
	701-48320-20	CABLE, remote control 13F	2	2		13 feet
	701-48320-30	CABLE, remote control 14F	2	2		14 feet
	701-48320-50	CABLE, remote control 15F	2	2		15 feet
	701-48320-60	CABLE, remote control 16F	2	2		16 feet
	701-48320-80	CABLE, remote control 17F	2	2		17 feet
	701-48320-90	CABLE, remote control 18F	2	2		18 feet
20- 6	701-82550-50	STOP SWITCH ASS'Y	1	1		
20- 7	655-48501-01	ATTACHMENT ASS'Y	1	1		
20- 8	647-48531-50	. BRACKET, remote control 1	1	1		
20- 9	97370-06018	. BOLT, hexagon	2	2		
20-10	92990-06600	. WASHER, plate	2	2		
20-11	647-48534-50	. THROTTLE LEVER CONTROL	1	1		
20-12	92990-05600	. WASHER, plate	1	1		
20-13	97370-05020	. BOLT, hexagon	1	1		
20-14	97370-06045	. BOLT, hexagon	1	1		
20-15	95390-06600	. NUT, hexagon	1	1		
20-16	647-48346-50	. CABLE END, remote control	1	1		Throttle
20-17	92901-08600	. WASHER, plate	1	1		
20-18	90501-10071	. SPRING, cable hook (604-48332-00)	1	1		

Fig. 20 REMOTE CONTROL



REMOTE CONTROL

Ref. No.	Parts No.	Description	Q'ty		Applicable Machine No.	Remarks
			6A	8A		
20-19	617-48361-90	. HOOK, cable 2	1	1		
20-20	91690-30012	. PIN, spring	1	1		
20-21	617-48346-90	. CABLE END, remote control ..	1	1		Shift
20-22	92901-08600	. WASHER, plate	1	1		
20-23	90501-10264	. SPRING, cable hook (617-48332-90)	1	1		
20-24	617-48331-90	. HOOK, cable	1	1		
20-25	91690-30012	. PIN, spring	1	1		
20-26	700-48510-11	. STEERING HOOK ASS'Y	1	1		

NUMERICAL INDEX



NUMERICAL INDEX

Ref No.	Parts No.	Ref No.	Parts No.	Ref No.	Parts No.
2-21	122-11633-00	9-12	626-43313-00-F6	3- 1	647-13641-00-94
13-10	164-81246-21	11-22	626-45119-00	3-11	647-13643-00-94
13-13	207-81331-10	14-32	626-45119-00	3-17	647-13645-00
16-22	606-42591-00	6-20	626-45215-00	3-17	647-13645-00
14-23	615-15751-00	6-75	626-45215-00	3-18	647-13646-01
8-39	616-43118-00-F6	6-57	626-45577-00-01	3- 2	647-13647-00
8-15	616-43372-00-F6	6-57	626-45577-00-03	3- 6	647-13649-00
11-26	616-44145-01	6-57	626-45577-00-05	4-29	647-14124-00
11-27	616-44146-01	19- 7	630-24329-00	4-15	647-14157-00
6-21	616-45251-30	18- 1	644-24304-50	4-28	647-14161-00
6-22	616-45252-30	19-13	644-24305-50	4-16	647-14227-00
13-40	616-83180-30	4-38	646-14223-01	4-31	647-14321-00
20-24	617-48331-90	4-37	646-14394-00	4-33	647-14323-00
20-21	617-48346-90	4-39	646-14397-00	4-30	647-14326-00
20-19	617-48361-90	16-25	646-28100-61	4- 4	647-14328-00
14-22	619-15755-01	1-19	647-11111-00-94	4-32	647-14333-00
8-23	620-43111-00-F6	2- 2	647-11412-01	4-34	647-14334-00
8-24	620-43112-00-F6	2- 3	647-11422-01	4-26	647-14335-00
9- 9	620-43189-00	2- 4	647-11432-01	4- 9	647-14341-00
9-14	620-43319-00	2- 5	647-11442-01	4- 2	647-14342-21
9- 8	620-43632-00	2- 9	647-11515-00	4- 2	647-14342-25
1- 6	624-11370-00	2-23	647-11561-00-02	4- 6	647-14343-40
1- 7	624-11375-00	2-23	647-11561-00-03	4-6	647-14343-43
1- 8	624-11379-00	2-23	647-11561-00-05	4-11	647-14344-35
1-11	624-11379-00	2-19	647-11610-00	4-11	647-14344-50
1- 3	624-14485-00	2-20	647-11610-10	4-10	647-14345-00
1- 5	624-14485-00	2-20	647-11610-20	4- 5	647-14351-00
1-32	624-14588-01	2-17	647-11631-00-97	4-25	647-14371-01
6-45	624-45567-00-03	2-17	647-11631-00-98	4-27	647-14374-00
6-45	624-45567-00-05	2-17	647-11631-01-96	4-22	647-14384-00
13-37	624-82370-00	2-17	647-11631-01-97	4-22	647-14384-01
4-12	626-14349-00	2-17	647-11631-01-98	4-19	647-14385-00
4- 7	626-14398-00	2-18	647-11635-00	4-21	647-14386-00
17- 3	626-24411-00	2-18	647-11635-01	4-20	647-14387-00
17- 4	626-24421-00	2-18	647-11636-00	4- 8	647-14390-12
18-22	626-28193-01-94	2-18	647-11636-01	18- 9	647-14395-60
15-17	626-42658-00	2- 6	647-11651-00	3-23	647-14417-00
9-27	626-43160-01	3-27	647-13610-00	1-43	647-15396-00-94
		3- 9	647-13621-00	14- 1	647-15710-01
				14-13	647-15712-00

NUMERICAL INDEX

Ref No.	Parts No.	Ref No.	Parts No.	Ref No.	Parts No.
14- 2	647-15713-00	12- 5	647-41635-00	8-19	647-43318-00-F6
14- 3	647-15714-01	12- 5	647-41635-01	9-26	647-43613-00
14- 6	647-15715-00	12- 8	647-41638-00-94	9-17	647-43614-00
14- 4	647-15716-00	12-15	647-41651-00	9-18	647-43615-01
14-16	647-15717-00	12-16	647-41652-00	9- 1	647-43616-00
14-11	647-15718-00	10- 9	647-42111-00-F6	9-25	647-43627-01
14-29	647-15719-01-10	10-10	647-42111-02-F6	9- 2	647-43631-00
14-29	647-15719-01-20	10-20	647-42112-00-F6	9-19	647-43659-00
14-10	647-15723-01	10-23	647-42115-00	11-11	647-44113-00
14- 9	647-15726-00	10-31	647-42119-02	11- 3	647-44119-00
14-14	647-15732-00	10-30	647-42137-02	11-23	647-44143-00
14-12	647-15739-00	10-25	647-42138-00	6-72	647-44147-00
14- 5	647-15741-00	10-19	647-42157-00-05	6-70	647-44150-00
14-17	647-15752-00	10-19	647-42157-00-06	6-70	647-44150-10
14-24	647-15758-00	10-19	647-42157-00-08	6-71	647-44152-01
14-19	647-15764-00	10-33	647-42177-00	7-13	647-44312-00
14- 7	647-15765-00	10- 1	647-42511-00-F6	7-15	647-44314-00
14-27	647-15768-00	10- 2	647-42523-00	7-12	647-44328-60
14-31	647-15780-01	8- 2	647-42525-00	7-22	647-44361-00
16- 5	647-24155-00	8- 3	647-42526-00	7-22	647-44361-10
17- 1	647-24410-01	8- 1	647-42537-00	7-18	647-44365-00
17- 1	647-24410-02	8- 9	647-42538-00	7-17	647-44366-00
17- 4	647-24421-00	10- 5	647-42541-00	5- 1	647-45111-09-F6
17- 2	647-24434-00	15- 1	647-42610-82-F6	5- 2	647-45113-00
17- 5	647-24435-00	16- 4	647-42614-03-33	5- 8	647-45114-00
4- 3	647-24438-00	15-14	647-42644-00	5- 8	647-45114-10
19- 4	647-24610-02	15-16	647-42647-00-94	5- 7	647-45151-01
10-36	647-26315-00	15- 3	647-42675-01	5- 9	647-45211-10-F6
3-32	647-26331-00	15- 5	647-42676-01	6- 1	647-45310-01-F6
3- 3	647-41116-00	15- 7	647-42687-60	6-24	647-45312-00-F6
3-29	647-41202-01	15-23	647-42716-00	6-29	647-45315-00
12-14	647-41213-01	16- 3	647-42717-01	6- 4	647-45316-09
3-31	647-41228-00	16- 3	647-42717-02	6-28	647-45316-09
4-40	647-41231-00	16-20	647-42725-00	6-27	647-45331-00-94
13-18	647-41611-00-94	16-21	647-42726-60	6-66	647-45344-00
12-20	647-41615-00	16- 9	647-42815-01-33	6-32	647-45511-00
13-22	647-41616-00	16-14	647-42816-00	6-32	647-45511-01
12- 9	647-41631-00	9- 7	647-43180-09	6-32	647-45511-10
12-13	647-41632-00	8-11	647-43312-00-F6	6-32	647-45511-11

NUMERICAL INDEX

Ref No.	Parts No.	Ref No.	Parts No.	Ref No.	Parts No.
6-34	647-45527-00	16- 6	647-82562-00	3-28	655-13610-01
6-34	647-45527-01	1-25	648-12418-00	3- 7	655-13641-00-94
6-39	647-45533-00-08	18-10	648-14382-60	3- 8	655-13647-00
6-39	647-45533-00-10	18-16	648-24566-01	3- 8	655-13647-01
6-39	647-45533-00-12	3-30	648-41227-00	3-12	655-13649-00
6-39	647-45533-00-14	8-38	648-43114-01	4- 1	655-14301-02
6-40	647-45551-00	9-28	648-43165-00	4- 1	655-14301-04
6-46	647-45560-00	15-13	648-44191-02	4- 1	655-14301-60
6-44	647-45567-00	6-51	648-45634-00	4- 2	655-14342-25
6-56	647-45570-01	1- 9	650-11370-00	4- 6	655-14343-33
6-53	647-45611-00	1-10	650-11372-00	3-24	655-14417-00
6-67	647-45616-00	4-36	650-14223-00	10-39	655-14497-01
6-67	647-45616-01	4-35	650-14394-01	1- 1	655-15100-02-94
6-63	647-45650-00	1- 5	650-14485-02	1- 2	655-15100-60-94
6-69	647-45926-00-38	19-12	650-24351-00	1- 4	655-15100-61-94
6-69	647-45941-00-36	19-10	650-24360-01	1- 4	655-15100-62-94
6-69	647-45943-00-36	12-25	650-41641-00	1-38	655-15359-00-94
6-49	647-45947-00-36	15-10	650-42681-00	1-38	655-15359-01-94
20-16	647-48346-50	15-12	650-42693-00	1-44	655-15396-00-94
20- 8	647-48531-50	9-31	650-43160-00	1-45	655-15396-01-94
20-11	647-48534-50	9- 4	650-43691-01	19- 1	655-24201-80-24
12- 6	647-48541-00-F6	7- 3	650-44322-01	19- 2	655-24244-80
12- 6	647-48541-01-F6	13- 9	650-81321-10	19- 3	655-24245-80
13- 1	647-81300-60	13-33	650-82310-12	19- 5	655-24275-60
13- 3	647-81309-11	13-34	650-82340-10	18- 2	655-24304-01
13- 4	647-81311-10	13-39	650-82370-00	19-14	655-24305-00
13- 5	647-81312-10	9-13	654-43313-00-F6	1-35	655-24312-00
13-16	647-81313-41	6-42	654-45635-00	18-15	655-24521-00
13-14	647-81315-11	1-20	655-11111-00-94	18-11	655-24560-00
13- 6	647-81318-10	1-18	655-11181-00	18-13	655-24563-00
13- 7	647-81323-10	2- 1	655-11400-01	18-12	655-24564-00
13-17	647-81324-10	2- 9	655-11515-00	10-34	655-26301-01
13-12	647-81325-11	2-26	655-11650-00	3-26	655-41116-00
13-15	647-81336-10	2- 8	655-11681-00	13-18	655-41611-00-94
13- 2	647-81350-10	1-26	655-12411-81	13-19	655-41612-00
13-25	647-81362-00	1-27	655-12413-00-94	12- 9	655-41631-00
13-30	647-82316-00	1-27	655-12413-01-94	12-24	655-41635-00
1-30	647-82317-00	1-24	655-12414-00	12- 8	655-41638-00-94
16-19	647-82550-01			12-23	655-41638-01-94

NUMERICAL INDEX

Ref No.	Parts No.	Ref No.	Parts No.	Ref No.	Parts No.
12- 1	655-41661-00-F6	9- 6	655-43691-00	6-69	655-45945-00-36
12- 1	655-41661-01-F6	11- 1	655-44111-80-F6	6-69	655-45947-01-36
10-23	655-42115-00	11-12	655-44113-00	6-69	655-45949-00-36
10-25	655-42138-00-94	11- 3	655-44119-00	20- 7	655-48501-01
10- 1	655-42511-00-F6	11- 3	655-44119-01	12- 6	655-48541-00-F6
8- 4	655-42525-00	11-16	655-44121-00	13- 1	655-81300-A0
8- 5	655-42526-00	11-10	655-44122-01	13- 3	655-81309-11
8- 6	655-42527-00	11-10	655-44122-02	13- 4	655-81311-A0
8-17	655-42529-00	11-10	655-44122-03	13- 5	655-81312-A0
8- 7	655-42532-00	11-30	655-44143-00	13-16	655-81313-A0
8- 8	655-42539-00	6-70	655-44150-00	13- 2	655-81350-A0
10- 8	655-42542-00	6-70	655-44150-10	13-33	655-82310-11
15- 1	655-42610-80-F6	7- 1	655-44301-00-94	13-30	655-82316-01
15- 2	655-42610-81-F6	7- 2	655-44311-02	10-11	656-42126-01
15- 2	655-42610-82-F6	7- 7	655-44315-00	9-32	656-43165-01
15-19	655-42651-02	7- 6	655-44323-00	1-20	659-11111-00-94
15-21	655-42652-00	7- 6	655-44323-01	4-43	659-14353-00
15-24	655-42662-00	7- 5	655-44352-09	7- 5	662-44352-00
15-24	655-42662-01	7-23	655-44361-00	19- 6	663-24268-00
15-25	655-42663-00	7-23	655-44361-10	8-22	663-45119-00
15-25	655-42663-01	7-19	655-44365-00	13-38	663-82370-01
15- 3	655-42675-00	7-21	655-44373-00	4- 1	671-14301-01
15- 4	655-42675-01	5- 1	655-45111-00-F6	4- 1	671-14301-02
15- 4	655-42675-80	5- 1	655-45111-01-F6	4- 9	671-14341-00
15- 5	655-42676-00	5- 1	655-45111-02-F6	15- 1	671-42610-00-F6
15- 6	655-42676-01	5- 2	655-45113-00	15- 2	671-42610-01-F6
15- 6	655-42676-80	5- 8	655-45114-01	15- 2	671-42610-02-F6
16- 1	655-42711-01-F6	5- 8	655-45114-11	15- 7	671-42687-00
16- 1	655-42711-02-F6	6- 9	655-45214-01-F6	20-26	700-48510-11
16- 2	655-42711-03-F6	6-73	655-45214-02-F6	20- 1	701-48110-10
11- 6	655-42715-00	6- 2	655-45310-00-F6	20- 2	701-48110-30
15-23	655-42716-03	6- 3	655-45310-01-F6	20- 3	701-48120-10
16-23	655-42723-00	6-59	655-45361-01-F6	20- 4	701-48120-30
16-10	655-42815-00-33	6-59	655-45361-02-F6	20- 5	701-48310-10
16-15	655-42816-00	6-32	655-45501-00	20- 5	701-48310-20
8-10	655-43311-00-F6	6-32	655-45501-10	20- 5	701-48310-40
8-10	655-43311-01-F6	6-53	655-45611-00	20- 5	701-48310-60
8-19	655-43318-00-F6	6-49	655-45631-00	20- 5	701-48310-90
9- 5	655-43631-00	6-69	655-45943-00-36	20- 5	701-48320-00

NUMERICAL INDEX

Ref No.	Parts No.	Ref No.	Parts No.	Ref No.	Parts No.
20- 5	701-48320-20	13-29	90201-10126	6-16	90430-10026
20- 5	701-48320-30	8-28	90201-10130	10- 6	90443-11005
20- 5	701-48320-50	8-26	90201-10524	1-36	90445-07M00
20- 5	701-48320-60	6-38	90201-12161	1-36	90445-07255
20- 5	701-48320-80	2-15	90201-12565	1-35	90445-07257
20- 5	701-48320-90	6-47	90201-13198	18- 8	90445-09063
20- 6	701-82550-50	16-13	90201-13201	18-20	90445-09087
17- 3	801-24411-00	6-55	90201-15229	18-19	90445-09090
17-13	801-24431-00	1-25	90201-21567	18- 7	90445-09102
17- 2	801-24434-00	2-24	90201-41528	18- 6	90445-09114
17- 5	801-24435-00	11- 7	90202-10044	7-20	90445-11262
17-10	801-24436-00	11- 7	90202-12097	19-11	90445-12155
17-12	801-24437-00	11-19	90206-05005	19- 9	90445-12156
17- 8	801-24438-00	12-17	90206-05005	18-21	90461-04011
17-11	801-24444-00	16-11	90206-13019	1-37	90467-06016
17- 9	801-24451-00	11-17	90240-05038	18- 5	90467-08002
8-32	90101-06336	9-22	90240-05047	18- 5	90467-08004
8-25	90101-10106	8-40	90243-04001	8-18	90468-10003
8-29	90116-06101	6-54	90250-05036	9-20	90468-10003
3-20	90116-06122	15-18	90266-04004	11-24	90468-10003
3-20	90116-06123	15-20	90266-04007	9-23	90468-10005
3-20	90116-06130	15-22	90266-04007	12-19	90468-10005
3-19	90116-06131	15-15	90267-40004	10-40	90480-01048
3-19	90116-06147	10-29	90269-02001	1-34	90501-02223
6-13	90149-06003	6-10	90269-02002	14-25	90501-08045
8-14	90149-10025	8-20	90269-02002	6-17	90501-10059
8-37	90149-12029	6-35	90280-03024	6-52	90501-10064
10-37	90170-06011	2-25	90280-04006	20-18	90501-10071
10-35	90170-06013	6-19	90334-10008	20-23	90501-10264
13-28	90170-10048	6-76	90334-10008	11- 5	90501-12085
10-38	90179-06045	6-11	90340-08014	11- 5	90501-12274
15-11	90183-05003	6-15	90340-10015	9- 3	90501-16104
10-13	90185-06062	11- 9	90383-10001	10-14	90501-23215
8-27	90185-10016	14-30	90386-07005	10-27	90501-23215
8-27	90185-10051	10-24	90386-08032	9-24	90501-26147
1-17	90201-06043	12- 4	90386-08032	9-30	90502-10014
1-23	90201-06043	16-12	90386-13057	9-11	90508-16020
16-16	90201-06068	6- 8	90387-14108	9-10	90508-16021
10- 7	90201-08309	6-14	90430-06015	9-21	90508-18022
		6-12	90430-08020		

NUMERICAL INDEX

Ref No.	Parts No.	Ref No.	Parts No.	Ref No.	Parts No.
8-35	90560-06088	1-42	92903-06600	20-10	92990-06600
10-18	90560-12075	3-16	92903-06600	10-28	92990-10200
10-17	90560-30085	3-22	92903-06600	10-15	92990-10600
11-18	91490-16010	12- 3	92903-06600	1-51	93101-14077
6-68	91490-30030	12-12	92903-06600	6-65	93101-15074
9-10	90508-16021	12-22	92903-06600	6-37	93101-18050
7-14	91690-20006	13-24	92903-06600	6-64	93101-18050
9-29	91690-20008	13-27	92903-06600	7-11	93101-18050
8-16	91690-25014	13-32	92903-06600	7-11	93102-18102
9-33	91690-30008	13-36	92903-06600	1-40	93102-20092
2-10	91690-30010	16- 8	92903-06600	1-50	93102-20092
10-26	91690-30012	17-15	92903-06600	11- 8	93210-07003
20-20	91690-30012	18- 4	92903-06600	19-15	93210-08287
20-25	91690-30012	18-18	92903-08100	11- 8	93210-09165
12- 7	91690-30016	4-14	92990-04100	6-33	93210-12158
12-27	91690-30016	4-18	92990-04100	1-49	93210-19216
10-26	91690-30022	4-24	92990-04100	7-16	93210-24108
6-36	91690-35016	17- 7	92990-04100	1-48	93210-24163
6-25	91690-40010	3- 5	92990-04600	10-16	93210-25032
11- 2	91690-40016	11-15	92990-05100	18-14	93210-35339
11- 2	91690-40020	4-41	92990-05200	1-39	93210-42159
1-31	91690-50014	11-20	92990-05200	1-46	93210-42159
1-12	91830-21014	12-18	92990-05200	1-47	93210-42162
16-24	92180-06015	20-12	92990-05600	6-60	93210-58144
6-23	92180-06018	8-31	92990-06100	6-43	93306-00401
10-21	92380-06020	8-34	92990-06100	6-58	93306-00501
13-11	92901-04100	10-22	92990-06100	2-13	93306-20411
13- 8	92901-05100	1-53	92990-06600	2-14	93310-11268
14- 8	92901-05200	5- 6	92990-06600	2- 7	93310-41885
14-21	92901-06100	5-12	92990-06600	4-42	93430-04031
14-18	92901-06200	6- 7	92990-06600	6-41	93430-07012
14-15	92901-08100	6-31	92990-06600	14-26	93430-12008
20-17	92901-08600	6-62	92990-06600	6-48	93440-30040
20-22	92901-08600	7-10	92990-06600	2-11	93440-45022
13-21	92903-05100	8-13	92990-06600	2-12	93440-47055
15- 9	92903-05200	8-36	92990-06600	2-22	93450-13022
3-34	92903-05600	9-16	92990-06600	6-18	93501-04011
1-28	92903-06100	11-25	92990-06600	1-33	93501-08001
12-11	92903-06100	11-28	92990-06600	11- 4	93505-16024

NUMERICAL INDEX

Ref No.	Parts No.	Ref No.	Parts No.	Ref No.	Parts No.
2-16	93602-14118	1-22	97323-06035	19- 8	98580-05015
2-10	93603-08002	14-20	97323-06035	3-10	98702-05012
5-10	93604-08062	1-13	97323-06045		
6- 5	93604-08062	3-14	97323-06045		
1-21	93604-10011	1-14	97323-06050		
7- 4	93604-18080	3-13	97323-06055		
6-50	93604-26079	1-15	97323-06065		
5- 3	93605-08041	1-16	97323-06075		
6-50	93605-29098	11-13	97370-05018		
8-21	93700-06004	11-14	97370-05020		
11-21	93700-06004	20-13	97370-05020		
14-28	97370-06004	8-12	97370-06040		
1-54	94701-00039	20- 9	97370-06018		
1-54	94701-00069	5- 4	97370-06020		
15- 8	95303-05600	5-11	97370-06020		
12-26	95303-06600	6- 6	97370-06020		
3-21	95303-06700	6-30	97370-06020		
16-17	95303-06700	6-61	97370-06020		
10- 4	95303-08600	10-12	97370-06020		
18-17	95303-08600	11-29	97370-06020		
8-30	95380-06600	5- 5	97370-06025		
8-33	95380-06600	9-15	97370-06025		
20-15	95390-06600	7- 8	97370-06030		
13-26	97323-06010	7- 9	97370-06040		
16-18	97323-06012	20-14	97370-06045		
1-41	97323-06015	10- 3	97370-08035		
12-10	97323-06015	3-25	98103-04020		
12-21	97323-06015	16-24	98180-05012		
13-23	97323-06015	6-74	98180-05015		
18- 3	97323-06015	10-32	98180-05025		
1-41	97323-06018	6-26	98280-05080		
13-31	97323-06018	13-20	98303-05012		
13-31	97323-06018	3- 4	98380-05008		
1-29	97323-06020	4-17	98503-04008		
17-14	97323-06020	4-13	98503-04012		
3-15	97323-06025	4-23	98503-04012		
13-35	97323-06025	17- 6	98503-04018		
16- 7	97323-06025	13-20	98503-05010		
12- 2	97323-06030	3-33	98503-05015		



YAMAHA MOTOR CO., LTD.

PRINTED IN JAPAN
First edition Aug., 1976
(655-28198-E5)